

**Performance
Data**

MODEL SIZE	DISPLACEMENT/REVOLUTION (THEORETICAL)			PRESSURE RATINGS				MAXIMUM SPEED (RPM)
				NORMAL DUTY		SEVERE DUTY		
	U.S. GALLONS	CUBIC INCHES	CUBIC CENT.	PSI	BAR	PSI	BAR	
D15	.0129	2.98	48.8	4000	276	3800	262	2500
D20	.0172	3.97	65.1	3800	262	3000	207	2500
D25	.0215	4.97	81.4	3000	207	2300	159	2500
D30	.0258	5.96	97.6	2500	172	2000	138	2500
D35	.0301	6.95	113.9	2500*	172	2000*	138	2500
D40	.0344	7.95	130.2	2500*	172	2000*	138	2500
D45	.0387	8.94	146.5	2500*	172	2000*	138	2500

* CONSULT FACTORY WITH TYPE APPLICATION
PRESSURES MAY BE LIMITED TO SHAFT TYPE

- CAST IRON THROUGHOUT
- PRESSURES TO 4000 PSI
- FLOWS TO 97 GPM
- HEAVY DUTY SLEEVE TYPE BEARINGS
- DOUBLE VITON® SHAFT SEALS STANDARD
- PRESSURE COMPENSATED THRUST PLATES
- DESIGNED FOR HEAVY DUTY APPLICATIONS
- SINGLE AND MULTI-STAGE CONFIGURATIONS
- VARIOUS SHAFT, FLANGE AND PORT OPTIONS
- PRECISION GEARS MACHINED FROM SOLID BAR STOCK
- COMPATIBLE WITH MOST FIRE RESISTANT FLUIDS
- CONTAMINANT RESISTANT
- COMPUTER DESIGNED AND MANUFACTURED
- QUALITY CERTIFIED
- FLEXIBLE DESIGN FOR NEW OR OEM REPLACEMENTS
- SERVICE SUPPORTED BY DEDICATION AND INVENTORY

P. O. BOX 2160, 1506 FULTON DR.
CORINTH, MISSISSIPPI 38835

Phone: 662/286-2252 Fax: 662/287-6580 E-mail: haisales@geartek.com Http: www.geartek.com

SHAFTS AVAILABLE

<p>1</p> <p>1 1/4"-14 TOOTH SPLINE</p> <p>TORQUE LIMIT 650 FT./LBS.</p> <p>SPLINE DATA</p> <table border="1"> <tr><td>DIAMETRAL PITCH</td><td>12/24</td></tr> <tr><td>PRESSURE ANGLE</td><td>30°</td></tr> <tr><td>NO. OF TEETH</td><td>14</td></tr> <tr><td>MINOR DIA.</td><td>1.062-1.050</td></tr> </table>	DIAMETRAL PITCH	12/24	PRESSURE ANGLE	30°	NO. OF TEETH	14	MINOR DIA.	1.062-1.050	<p>2</p> <p>1" STRAIGHT</p> <p>AVAILABLE ON 15 THRU 35 SIZES TORQUE LIMIT 341 FT./LBS.</p>
DIAMETRAL PITCH	12/24								
PRESSURE ANGLE	30°								
NO. OF TEETH	14								
MINOR DIA.	1.062-1.050								
<p>3</p> <p>1 1/4" STRAIGHT</p> <p>TORQUE LIMIT 650 FT./LBS.</p>	<p>4</p> <p>7/8"-13 TOOTH SPLINE</p> <p>AVAILABLE ON 15 THRU 35 SIZES TORQUE LIMIT 184 FT./LBS.</p> <p>SPLINE DATA</p> <table border="1"> <tr><td>DIAMETRAL PITCH</td><td>16/32</td></tr> <tr><td>PRESSURE ANGLE</td><td>30°</td></tr> <tr><td>NO. OF TEETH</td><td>13</td></tr> <tr><td>MINOR DIA.</td><td>.733-.722</td></tr> </table>	DIAMETRAL PITCH	16/32	PRESSURE ANGLE	30°	NO. OF TEETH	13	MINOR DIA.	.733-.722
DIAMETRAL PITCH	16/32								
PRESSURE ANGLE	30°								
NO. OF TEETH	13								
MINOR DIA.	.733-.722								

STANDARD SAE 4-BOLT CONNECTOR PORTS

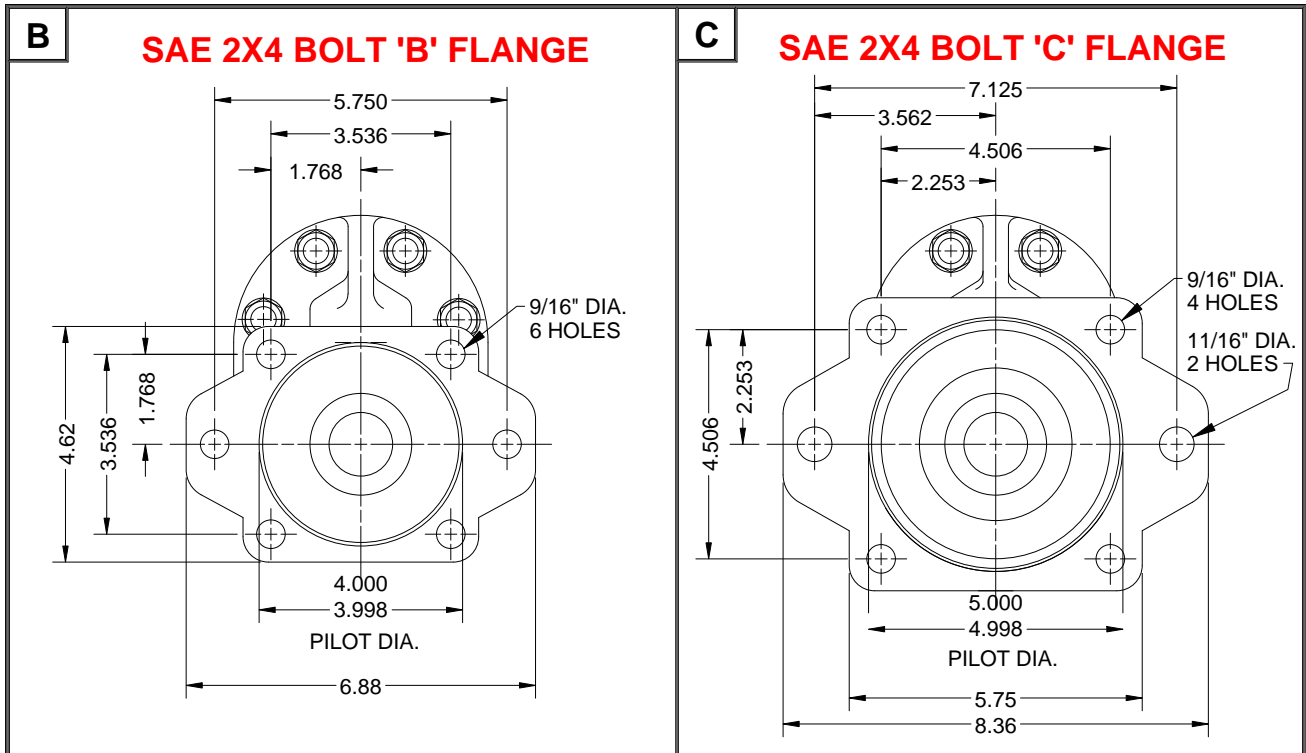
SAE 4-BOLT CONN. PORTS

SIZE	INLET SIZE	OUTLET SIZE
D15	1 1/4"	1"
D20	1 1/4"	1"
D25	1 1/2"	1 1/4"
D30	1 1/2"	1 1/4"
D35	1 1/2"	1 1/4"
D40	2"	1 1/4"
D45	2"	1 1/4"

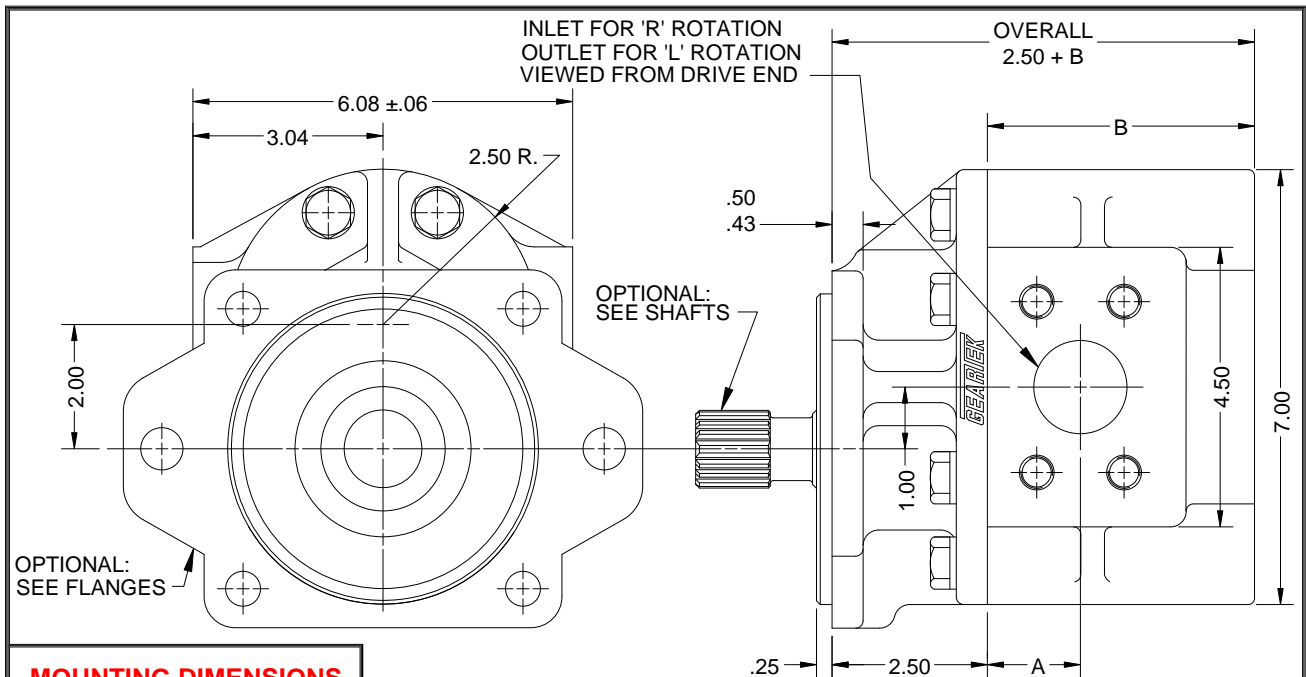
4-BOLT CONNECTOR CHART

SIZE	C	D	E	F	G
1"	.51	1.031	1.03	2.062	3/8-16NC
1 1/4"	.59	1.188	1.15	2.313	7/16-14NC
1 1/2"	.70	1.406	1.37	2.750	1/2-13NC
2"	.84	1.688	1.53	3.062	1/2-13NC

FLANGES AVAILABLE



DIMENSIONAL DATA



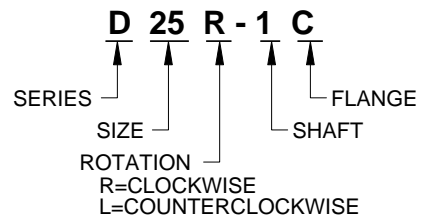
MOUNTING DIMENSIONS

SIZE	A	B
D15	1.25	3.62
D20	1.36	3.89
D25	1.50	4.18
D30	1.64	4.45
D35	1.85	4.75
D40	1.85	5.04
D45	2.16	5.32

FOR METRIC DIMENSIONS
MULTIPLY 25.4 X IN. = mm

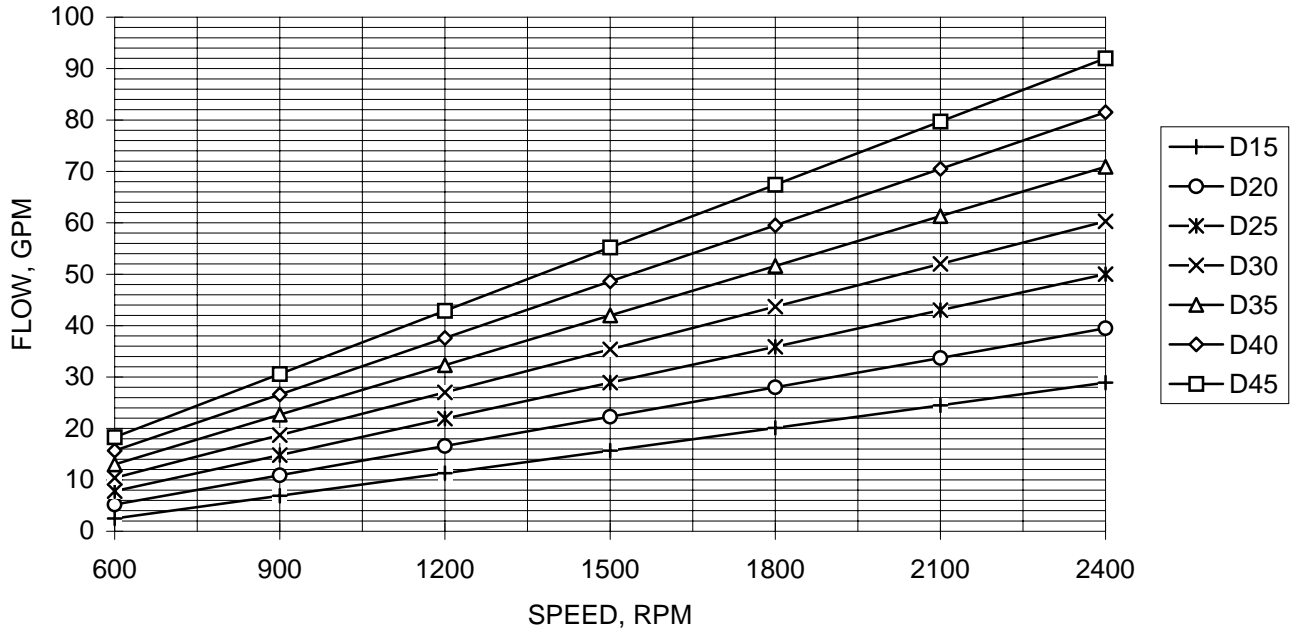
OTHER PORT TYPES AVAILABLE
CONSULT FACTORY

MODEL EXAMPLE

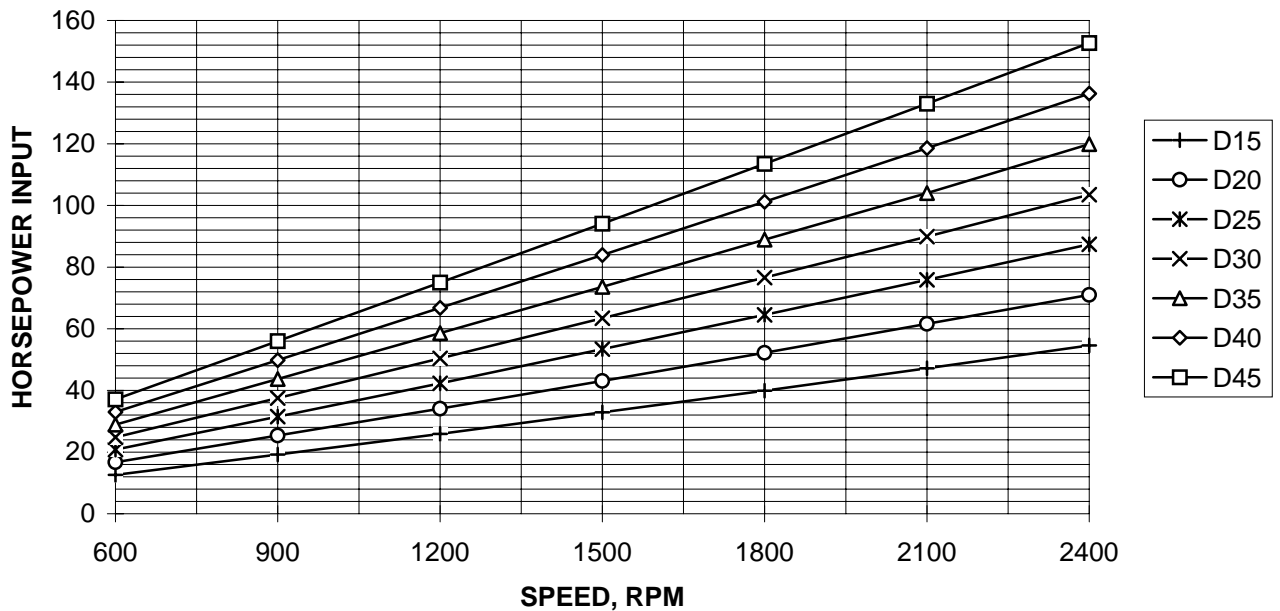


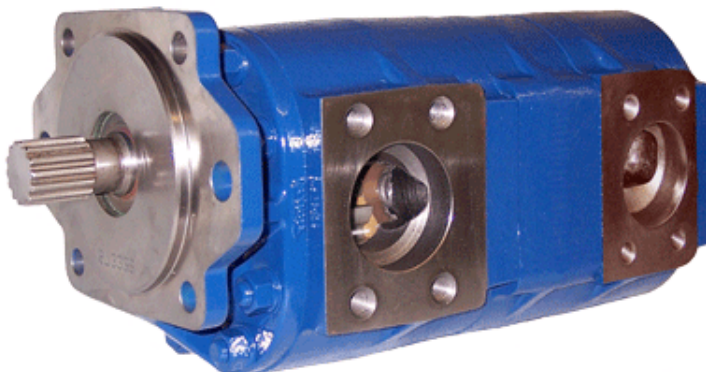
TYPICAL PERFORMANCE DATA
 SAE 10W oil @ 150 DEGREES FAHRENHEIT
 (150 SSU)

**'D' SERIES PUMP FLOW OUTPUT @ 2500 PSI - SAE 10W OIL
 @ 150 DEGREES FAHRENHEIT**



'D' SERIES PUMP HORSEPOWER IN @ 2500 PSI





**Performance
Data**

MODEL SIZE	DISPLACEMENT/REVOLUTION (THEORETICAL)			PRESSURE RATINGS				MAXIMUM SPEED (RPM)
	U.S. GALLONS	CUBIC INCHES	CUBIC CENT.	NORMAL DUTY		SEVERE DUTY		
				PSI	BAR	PSI	BAR	
D15	.0129	2.98	48.8	4000	276	3800	262	2500
D20	.0172	3.97	65.1	3800	262	3000	207	2500
D25	.0215	4.97	81.4	3000	207	2300	159	2500
D30	.0258	5.96	97.6	2500	172	2000	138	2500
D35	.0301	6.95	113.9	2500*	172	2000*	138	2500
D40	.0344	7.95	130.2	2500*	172	2000*	138	2500
D45	.0387	8.94	146.5	2500*	172	2000*	138	2500

* CONSULT FACTORY WITH TYPE APPLICATION
PRESSURES MAY BE LIMITED TO SHAFT TYPE

- CAST IRON THROUGHOUT
- PRESSURES TO 4000 PSI
- FLOWS TO 97 GPM
- HEAVY DUTY SLEEVE TYPE BEARINGS
- DOUBLE VITON® SHAFT SEALS STANDARD
- PRESSURE COMPENSATED THRUST PLATES
- DESIGNED FOR HEAVY DUTY APPLICATIONS
- SINGLE AND MULTI-STAGE CONFIGURATIONS
- VARIOUS SHAFT, FLANGE AND PORT OPTIONS
- PRECISION GEARS MACHINED FROM SOLID BAR STOCK
- COMPATIBLE WITH MOST FIRE RESISTANT FLUIDS
- CONTAMINANT RESISTANT
- COMPUTER DESIGNED AND MANUFACTURED
- QUALITY CERTIFIED
- FLEXIBLE DESIGN FOR NEW OR OEM REPLACEMENTS
- SERVICE SUPPORTED BY DEDICATION AND INVENTORY

P. O. BOX 2160, 1506 FULTON DR.
CORINTH, MISSISSIPPI 38835

Phone: 662/286-2252 Fax: 662/287-6580 E-mail: haisales@geartek.com Http: www.geartek.com

SHAFTS AVAILABLE

1

1 1/4"-14 TOOTH SPLINE

TORQUE LIMIT 650 FT.-LBS.

SPLINE DATA

DIAMETRAL PITCH	12/24
PRESSURE ANGLE	30°
NO. OF TEETH	14
MINOR DIA.	1.062-1.050

3

1 1/4" STRAIGHT

TORQUE LIMIT 650 FT.-LBS.

5/16"x5/16"x1 1/2" KEY

4

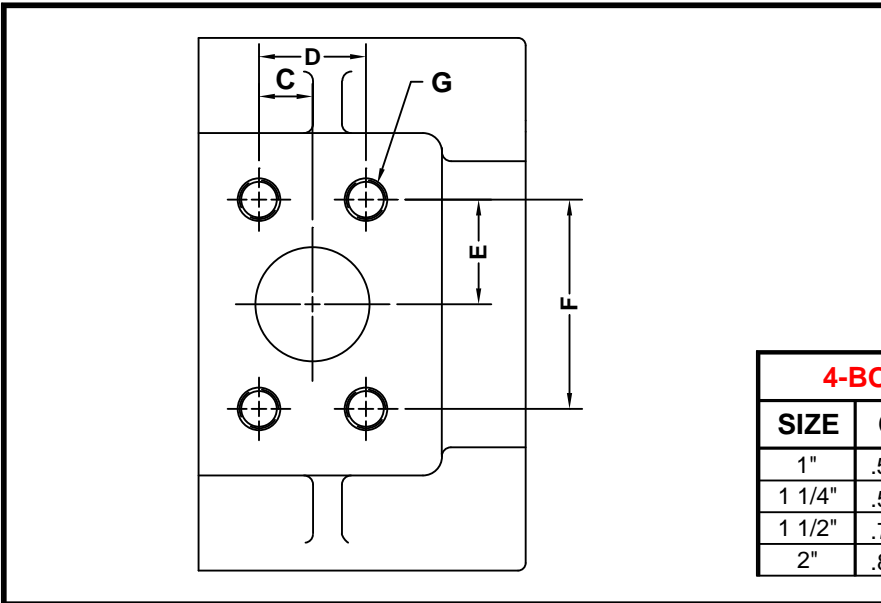
7/8"-13 TOOTH SPLINE

AVAILABLE ON 15 THRU 35 SIZES
TORQUE LIMIT 184 FT.-LBS.

SPLINE DATA

DIAMETRAL PITCH	16/32
PRESSURE ANGLE	30°
NO. OF TEETH	13
MINOR DIA.	.733-.722

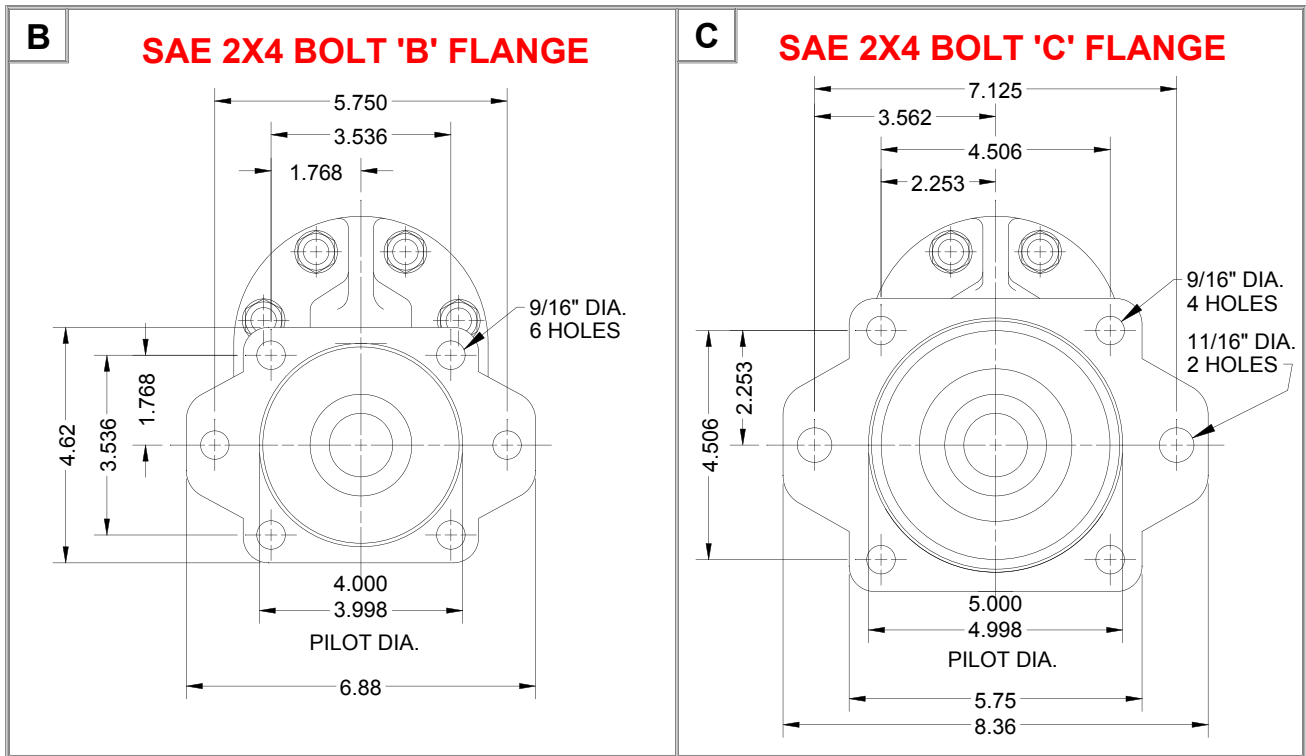
STANDARD SAE 4-BOLT CONNECTOR PORTS



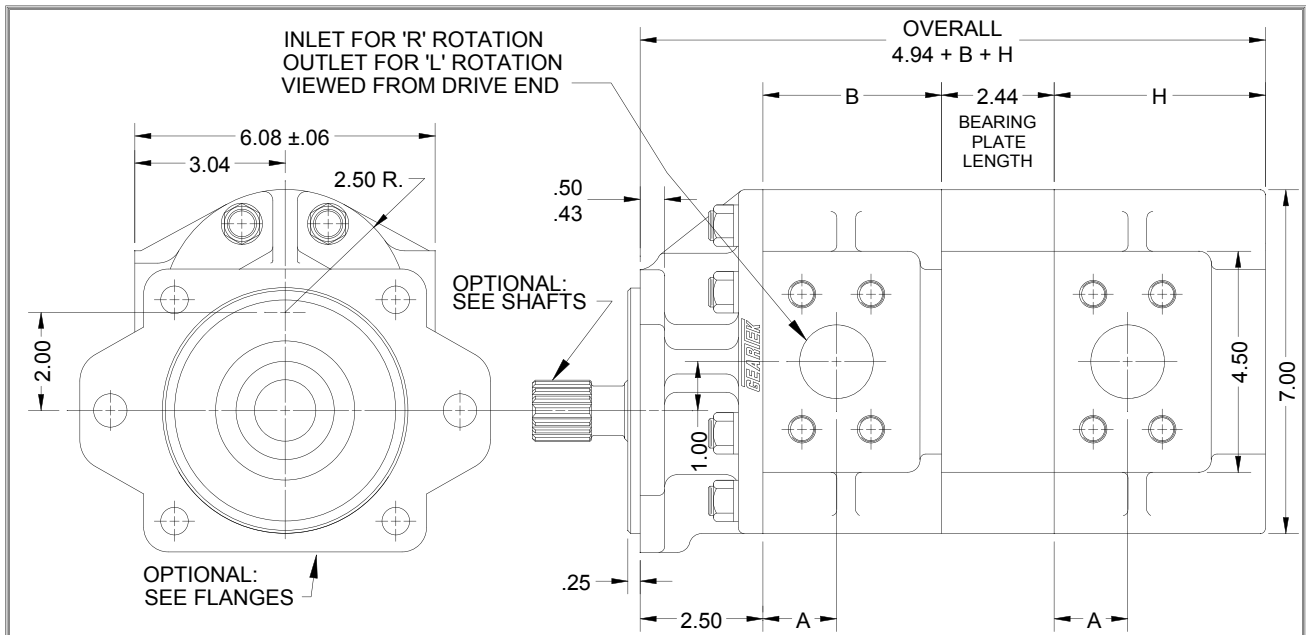
SAE 4-BOLT CONN. PORTS		
SIZE	INLET SIZE	OUTLET SIZE
D15	1 1/4"	1"
D20	1 1/4"	1"
D25	1 1/2"	1 1/4"
D30	1 1/2"	1 1/4"
D35	1 1/2"	1 1/4"
D40	2"	1 1/4"
D45	2"	1 1/4"

4-BOLT CONNECTOR CHART					
SIZE	C	D	E	F	G
1"	.51	1.031	1.03	2.062	3/8-16NC
1 1/4"	.59	1.188	1.15	2.313	7/16-14NC
1 1/2"	.70	1.406	1.37	2.750	1/2-13NC
2"	.84	1.688	1.53	3.062	1/2-13NC

FLANGES AVAILABLE



DIMENSIONAL DATA



MOUNTING DIMENSIONS

SIZE	A	B	H
D15	1.25	3.02	3.62
D20	1.36	3.31	3.89
D25	1.50	3.59	4.18
D30	1.64	3.87	4.45
D35	1.85	4.16	4.75
D40	1.85	4.44	5.04
D45	2.16	4.73	5.32

FOR METRIC DIMENSIONS
MULTIPLY 25.4 X IN. = mm

OTHER PORT TYPES AVAILABLE
CONSULT FACTORY

MODEL EXAMPLE

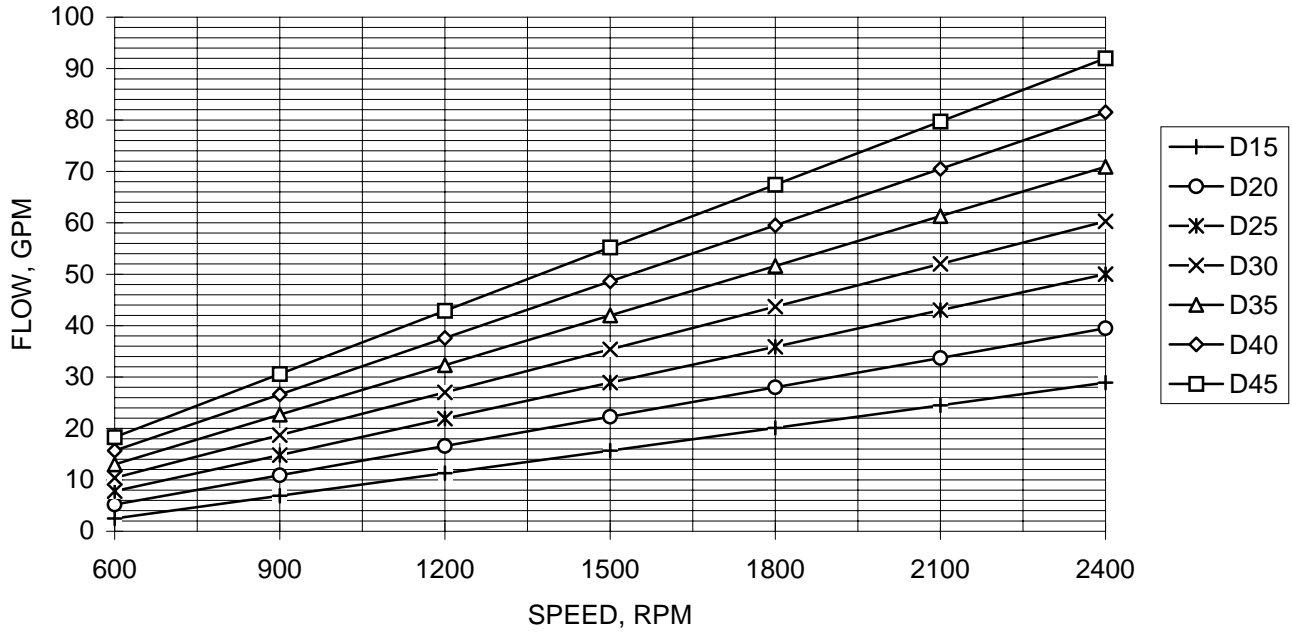
D 25-25 R - 1 C

SERIES ↑ SIZE ↑ ROTATION ↑ FLANGE ↑
 SHAF ↑

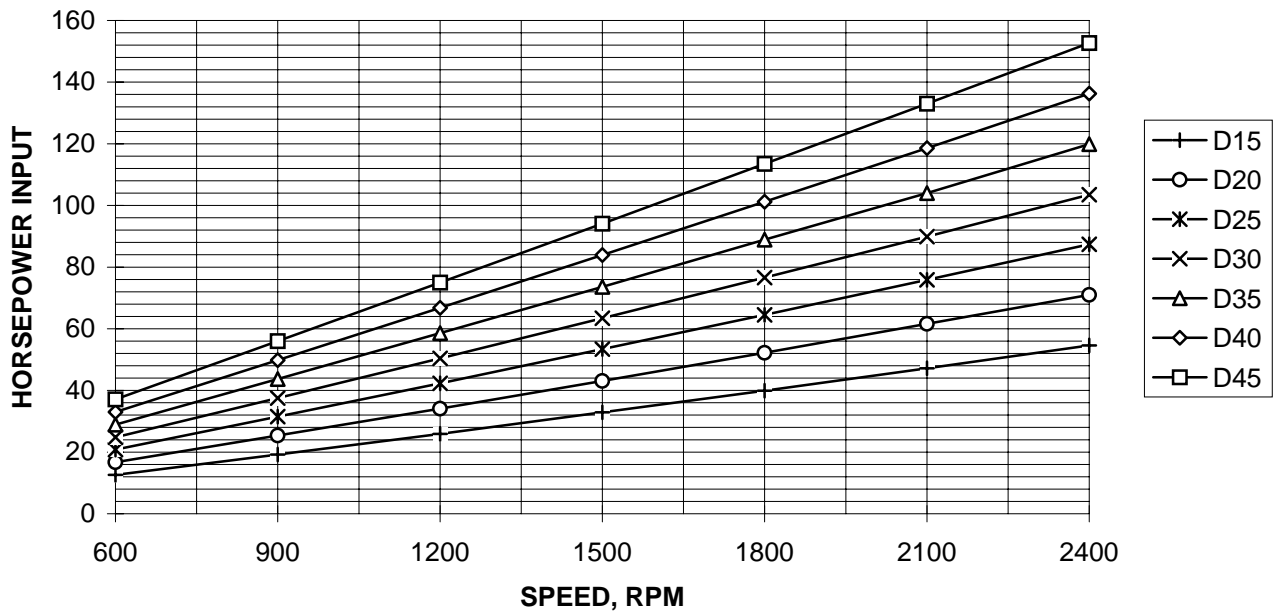
R=CLOCKWISE
 L=COUNTERCLOCKWISE

TYPICAL PERFORMANCE DATA
 SAE 10W oil @ 150 DEGREES FAHRENHEIT
 (150 SSU)

**'D' SERIES PUMP FLOW OUTPUT @ 2500 PSI - SAE 10W OIL
 @ 150 DEGREES FAHRENHEIT**



'D' SERIES PUMP HORSEPOWER IN @ 2500 PSI





**Performance
Data**

MODEL SIZE	DISPLACEMENT/REVOLUTION (THEORETICAL)			PRESSURE RATINGS				MAXIMUM SPEED (RPM)
				NORMAL DUTY		SEVERE DUTY		
	U.S. GALLONS	CUBIC INCHES	CUBIC CENT.	PSI	BAR	PSI	BAR	
D15	.0129	2.98	48.8	4000	276	3800	262	2500
D20	.0172	3.97	65.1	3800	262	3000	207	2500
D25	.0215	4.97	81.4	3000	207	2300	159	2500
D30	.0258	5.96	97.6	2500	172	2000	138	2500
D35	.0301	6.95	113.9	2500*	172	2000*	138	2500
D40	.0344	7.95	130.2	2500*	172	2000*	138	2500
D45	.0387	8.94	146.5	2500*	172	2000*	138	2500

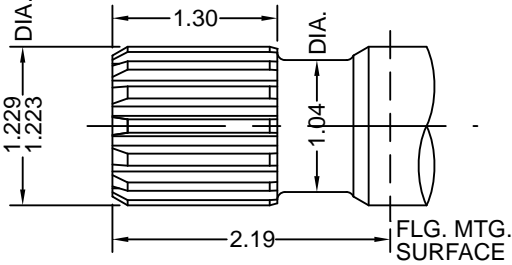
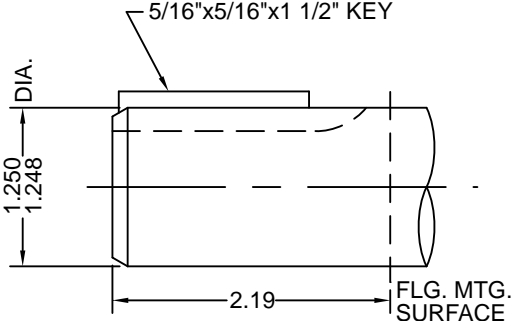
* CONSULT FACTORY WITH TYPE APPLICATION
PRESSURES MAY BE LIMITED TO SHAFT TYPE

- CAST IRON THROUGHOUT
- PRESSURES TO 4000 PSI
- FLOWS TO 97 GPM
- HEAVY DUTY SLEEVE TYPE BEARINGS
- DOUBLE VITON @SHAFT SEALS STANDARD
- PRESSURE COMPENSATED THRUST PLATES
- DESIGNED FOR HEAVY DUTY APPLICATIONS
- SINGLE AND MULTI-STAGE CONFIGURATIONS
- VARIOUS SHAFT, FLANGE AND PORT OPTIONS
- PRECISION GEARS MACHINED FROM SOLID BAR STOCK
- COMPATIBLE WITH MOST FIRE RESISTANT FLUIDS
- CONTAMINANT RESISTANT
- COMPUTER DESIGNED AND MANUFACTURED
- QUALITY CERTIFIED
- FLEXIBLE DESIGN FOR NEW OR OEM REPLACEMENTS
- SERVICE SUPPORTED BY DEDICATION AND INVENTORY

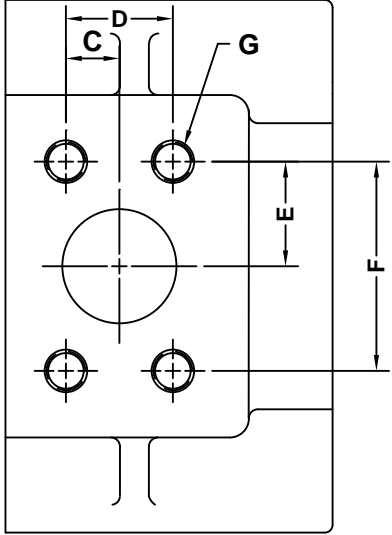
P. O. BOX 2160, 1506 FULTON DR.
CORINTH, MISSISSIPPI 38835

Phone: 662/286-2252 Fax: 662/287-6580 E-mail: haisales@geartek.com Http: www.geartek.com

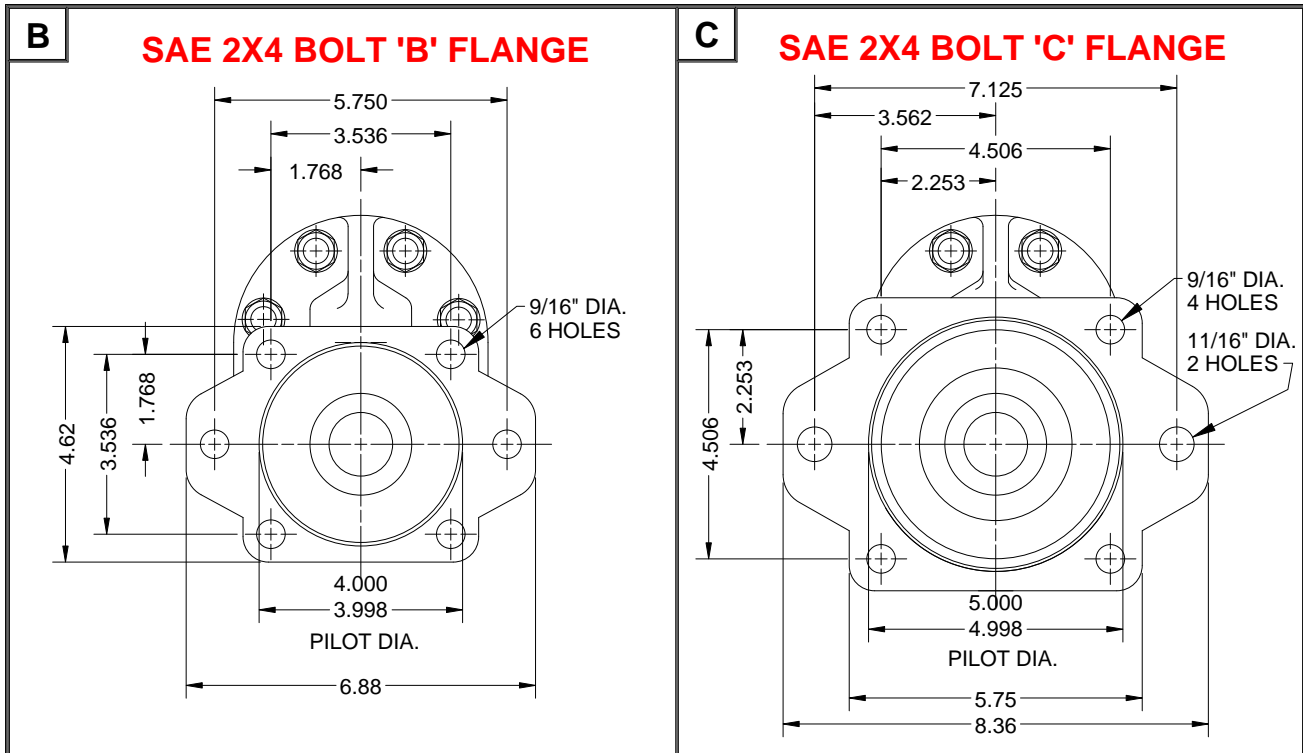
SHAFTS AVAILABLE

1	<p style="color: red; font-weight: bold; font-size: 1.2em;">1 1/4"-14 TOOTH SPLINE</p> <p>TORQUE LIMIT 650 FT/LBS</p> <p style="text-align: center;">SPLINE DATA</p> <table style="width: 100%; border-collapse: collapse;"> <tr><td style="border-bottom: 1px solid black;">DIAMETRAL PITCH</td><td style="border-bottom: 1px solid black;">12/24</td></tr> <tr><td style="border-bottom: 1px solid black;">PRESSURE ANGLE</td><td style="border-bottom: 1px solid black;">30°</td></tr> <tr><td style="border-bottom: 1px solid black;">NO. OF TEETH</td><td style="border-bottom: 1px solid black;">14</td></tr> <tr><td style="border-bottom: 1px solid black;">MINOR DIA.</td><td style="border-bottom: 1px solid black;">1.062-1.050</td></tr> </table> 	DIAMETRAL PITCH	12/24	PRESSURE ANGLE	30°	NO. OF TEETH	14	MINOR DIA.	1.062-1.050	
DIAMETRAL PITCH	12/24									
PRESSURE ANGLE	30°									
NO. OF TEETH	14									
MINOR DIA.	1.062-1.050									
3	<p style="color: red; font-weight: bold; font-size: 1.2em;">1 1/4" STRAIGHT</p> <p>TORQUE LIMIT 650 FT/LBS</p> 									

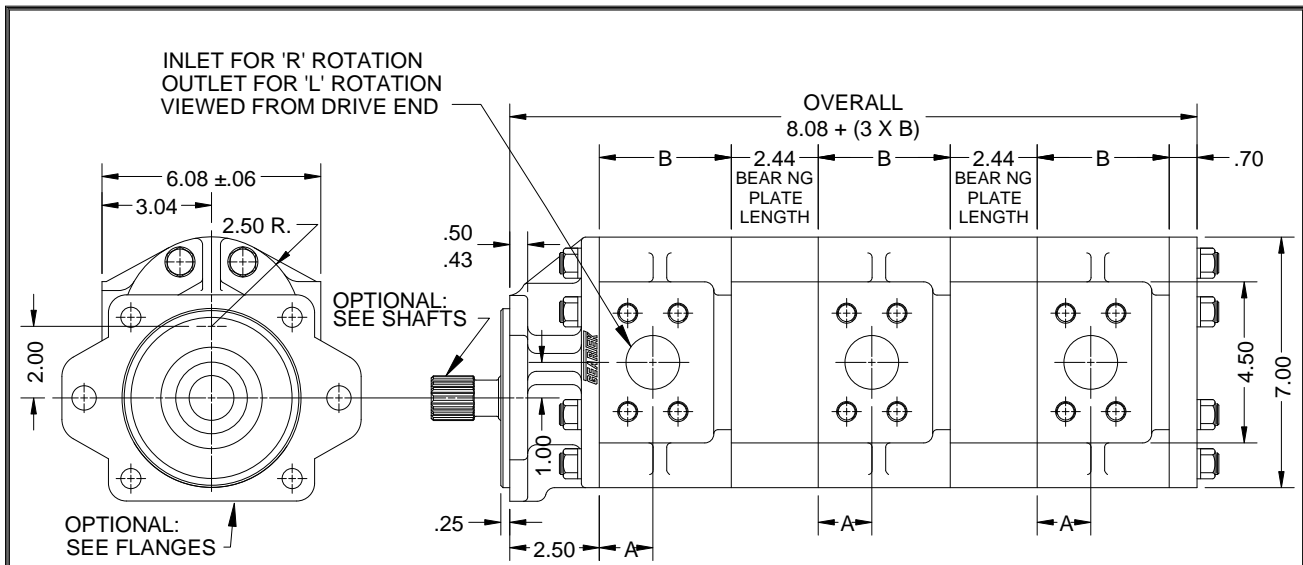
STANDARD SAE 4-BOLT CONNECTOR PORTS

	<p style="color: red; font-weight: bold; text-align: center;">SAE 4-BOLT CONN. PORTS</p> <table border="1" style="width: 100%; border-collapse: collapse; text-align: center;"> <thead> <tr> <th style="font-weight: normal;">SIZE</th> <th style="font-weight: normal;">INLET SIZE</th> <th style="font-weight: normal;">OUTLET SIZE</th> </tr> </thead> <tbody> <tr><td>D15</td><td>1 1/4"</td><td>1"</td></tr> <tr><td>D20</td><td>1 1/4"</td><td>1"</td></tr> <tr><td>D25</td><td>1 1/2"</td><td>1 1/4"</td></tr> <tr><td>D30</td><td>1 1/2"</td><td>1 1/4"</td></tr> <tr><td>D35</td><td>1 1/2"</td><td>1 1/4"</td></tr> <tr><td>D40</td><td>2"</td><td>1 1/4"</td></tr> <tr><td>D45</td><td>2"</td><td>1 1/4"</td></tr> </tbody> </table>	SIZE	INLET SIZE	OUTLET SIZE	D15	1 1/4"	1"	D20	1 1/4"	1"	D25	1 1/2"	1 1/4"	D30	1 1/2"	1 1/4"	D35	1 1/2"	1 1/4"	D40	2"	1 1/4"	D45	2"	1 1/4"						
SIZE	INLET SIZE	OUTLET SIZE																													
D15	1 1/4"	1"																													
D20	1 1/4"	1"																													
D25	1 1/2"	1 1/4"																													
D30	1 1/2"	1 1/4"																													
D35	1 1/2"	1 1/4"																													
D40	2"	1 1/4"																													
D45	2"	1 1/4"																													
	<p style="color: red; font-weight: bold; text-align: center;">4-BOLT CONNECTOR CHART</p> <table border="1" style="width: 100%; border-collapse: collapse; text-align: center;"> <thead> <tr> <th style="font-weight: normal;">SIZE</th> <th style="font-weight: normal;">C</th> <th style="font-weight: normal;">D</th> <th style="font-weight: normal;">E</th> <th style="font-weight: normal;">F</th> <th style="font-weight: normal;">G</th> </tr> </thead> <tbody> <tr><td>1"</td><td>.51</td><td>1.031</td><td>1.03</td><td>2.062</td><td>3/8-16NC</td></tr> <tr><td>1 1/4"</td><td>.59</td><td>1.188</td><td>1.15</td><td>2.313</td><td>7/16-14NC</td></tr> <tr><td>1 1/2"</td><td>.70</td><td>1.406</td><td>1.37</td><td>2.750</td><td>1/2-13NC</td></tr> <tr><td>2"</td><td>.84</td><td>1.688</td><td>1.53</td><td>3.062</td><td>1/2-13NC</td></tr> </tbody> </table>	SIZE	C	D	E	F	G	1"	.51	1.031	1.03	2.062	3/8-16NC	1 1/4"	.59	1.188	1.15	2.313	7/16-14NC	1 1/2"	.70	1.406	1.37	2.750	1/2-13NC	2"	.84	1.688	1.53	3.062	1/2-13NC
SIZE	C	D	E	F	G																										
1"	.51	1.031	1.03	2.062	3/8-16NC																										
1 1/4"	.59	1.188	1.15	2.313	7/16-14NC																										
1 1/2"	.70	1.406	1.37	2.750	1/2-13NC																										
2"	.84	1.688	1.53	3.062	1/2-13NC																										

FLANGES AVAILABLE



DIMENSIONAL DATA



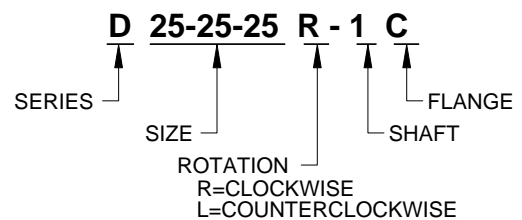
MOUNTING DIMENSIONS

SIZE	A	B
D15	1.25	3.02
D20	1.36	3.31
D25	1.50	3.59
D30	1.64	3.87
D35	1.85	4.16
D40	1.85	4.44
D45	2.16	4.73

FOR METRIC DIMENSIONS
MULTIPLY 25.4 X IN. = mm

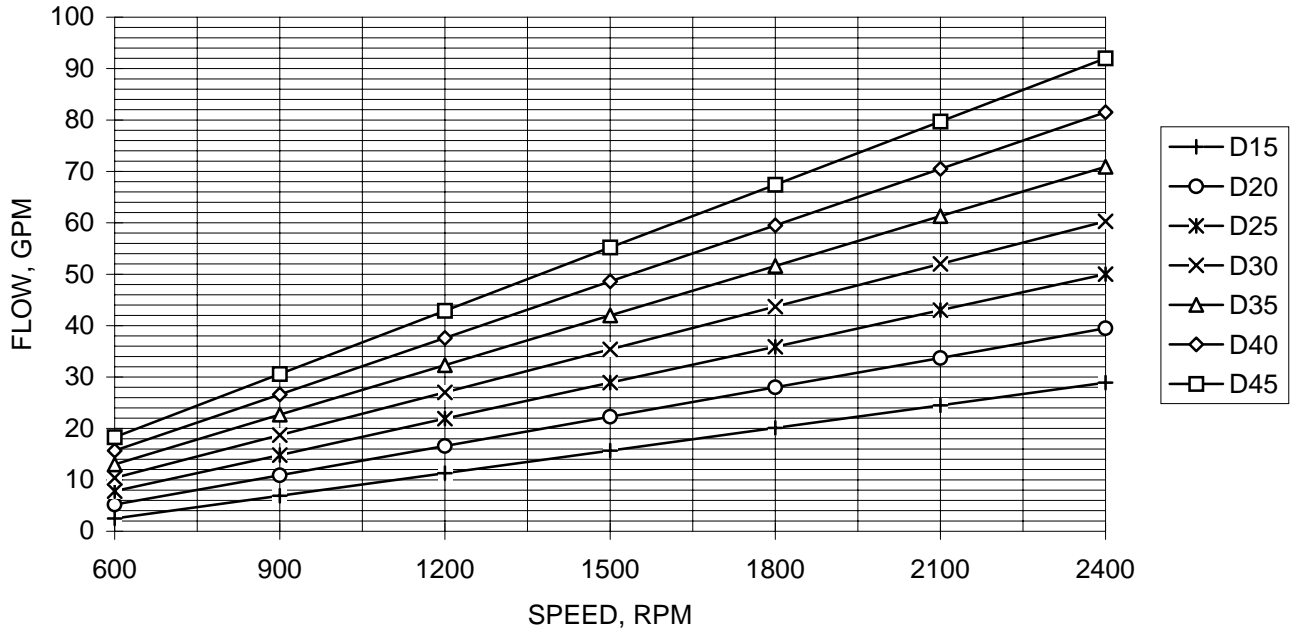
OTHER PORT TYPES AVAILABLE
CONSULT FACTORY

MODEL EXAMPLE

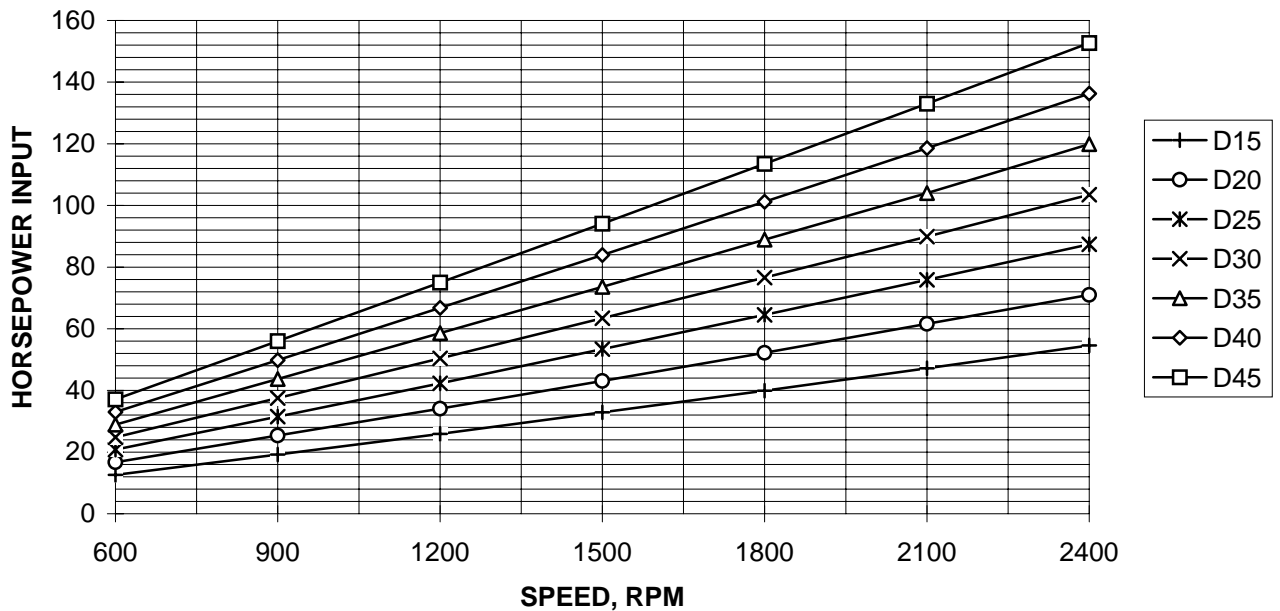


TYPICAL PERFORMANCE DATA
 SAE 10W oil @ 150 DEGREES FAHRENHEIT
 (150 SSU)

**'D' SERIES PUMP FLOW OUTPUT @ 2500 PSI - SAE 10W OIL
 @ 150 DEGREES FAHRENHEIT**



'D' SERIES PUMP HORSEPOWER IN @ 2500 PSI





HYDRAULIC GEAR PUMPS AND MOTORS

'DB' Series

PIGGY-BACK



Performance Data

MODEL SIZE	DISPLACEMENT/REVOLUTION (THEORETICAL)			PRESSURE RATINGS				MAXIMUM SPEED (RPM)
	U.S. GALLONS	CUBIC INCHES	CUBIC CENT.	NORMAL DUTY		SEVERE DUTY		
				PSI	BAR	PSI	BAR	
DB15	.0129	2.98	48.8	4000	276	3800	262	2500
DB20	.0172	3.97	65.1	3800	262	3000	207	2500
DB25	.0215	4.97	81.4	3000	207	2300	159	2500
DB30	.0258	5.96	97.6	2500	172	2000	138	2500
DB35	.0301	6.95	113.9	2500*	172	2000*	138	2500
DB40	.0344	7.95	130.2	2500*	172	2000*	138	2500
DB45	.0387	8.94	146.5	2500*	172	2000*	138	2500

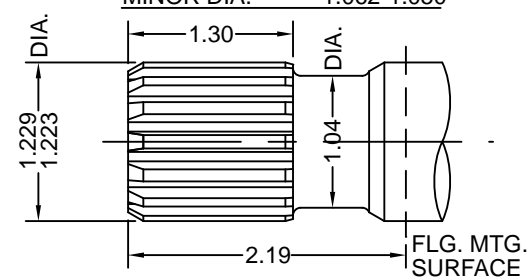
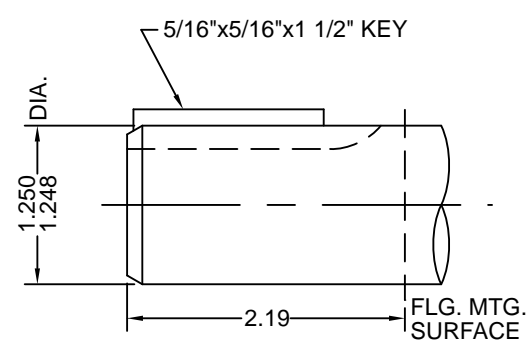
* CONSULT FACTORY WITH TYPE APPLICATION PRESSURES MAY BE LIMITED TO SHAFT TYPE

- CAST IRON THROUGHOUT
- PRESSURES TO 4000 PSI
- FLOWS TO 97 GPM
- HEAVY DUTY SLEEVE TYPE BEARINGS
- DOUBLE VITON® SHAFT SEALS STANDARD
- PRESSURE COMPENSATED THRUST PLATES
- DESIGNED FOR HEAVY DUTY APPLICATIONS
- SINGLE AND MULTI-STAGE CONFIGURATIONS
- VARIOUS SHAFT, FLANGE AND PORT OPTIONS
- PRECISION GEARS MACHINED FROM SOLID BAR STOCK
- COMPATIBLE WITH MOST FIRE RESISTANT FLUIDS
- CONTAMINANT RESISTANT
- COMPUTER DESIGNED AND MANUFACTURED
- QUALITY CERTIFIED
- FLEXIBLE DESIGN FOR NEW OR OEM REPLACEMENTS
- SERVICE SUPPORTED BY DEDICATION AND INVENTORY

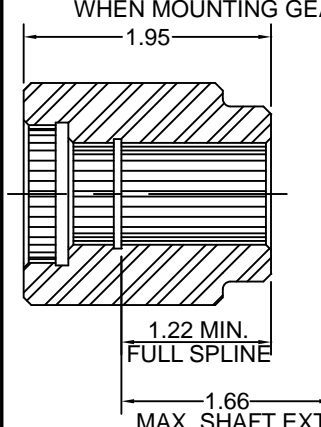
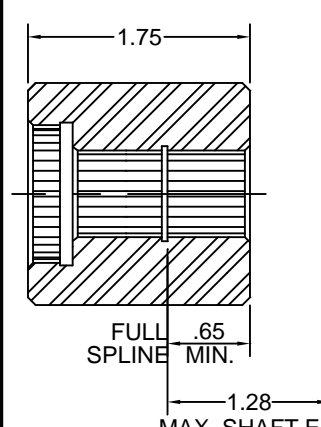
P. O. BOX 2160, 1506 FULTON DR.
CORINTH, MISSISSIPPI 38835

Phone: 662/286-2252 Fax: 662/287-6580 E-mail: haisales@geartek.com Http: www.geartek.com

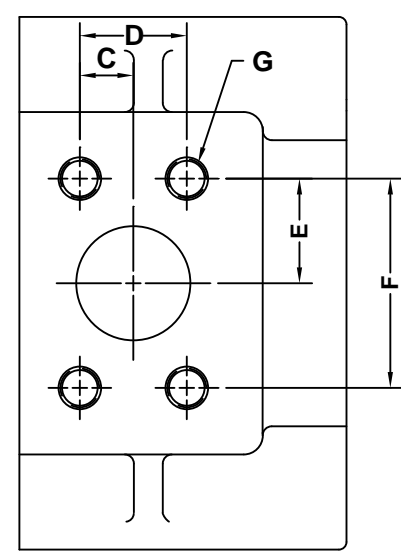
SHAFTS AVAILABLE

<div style="border: 1px solid black; padding: 5px;"> <p style="text-align: center; color: red; font-weight: bold;">1</p> <p style="text-align: center; color: red; font-weight: bold;">1 1/4"-14 TOOTH SPLINE</p> <p style="text-align: center;">TORQUE LIMIT 650 FT/LBS</p> <p style="text-align: center; font-weight: bold;">SPLINE DATA</p> <table style="width: 100%; border-collapse: collapse;"> <tr><td style="border-right: 1px solid black;">DIAMETRAL PITCH</td><td style="text-align: right;">12/24</td></tr> <tr><td style="border-right: 1px solid black;">PRESSURE ANGLE</td><td style="text-align: right;">30°</td></tr> <tr><td style="border-right: 1px solid black;">NO. OF TEETH</td><td style="text-align: right;">14</td></tr> <tr><td style="border-right: 1px solid black;">MINOR DIA.</td><td style="text-align: right;">1.062-1.050</td></tr> </table>  </div>	DIAMETRAL PITCH	12/24	PRESSURE ANGLE	30°	NO. OF TEETH	14	MINOR DIA.	1.062-1.050	<div style="border: 1px solid black; padding: 5px;"> <p style="text-align: center; color: red; font-weight: bold;">3</p> <p style="text-align: center; color: red; font-weight: bold;">1 1/4" STRAIGHT</p> <p style="text-align: center;">TORQUE LIMIT 650 FT/LBS</p>  </div>
DIAMETRAL PITCH	12/24								
PRESSURE ANGLE	30°								
NO. OF TEETH	14								
MINOR DIA.	1.062-1.050								

REAR COUPLINGS AVAILABLE

<div style="border: 1px solid black; padding: 5px;"> <p style="text-align: center; color: red; font-weight: bold;">78</p> <p style="text-align: center; color: red; font-weight: bold;">7/8"-13 TOOTH INTERNAL SPLINE</p> <p style="text-align: center;">SEE INSTRUCTION SHEET 110102 WHEN MOUNTING GEARTEK 'D/HD' ON REAR</p>  <table style="width: 100%; border-collapse: collapse;"> <tr><td colspan="2" style="text-align: center; font-weight: bold;">INTERNAL SPLINE DATE</td></tr> <tr><td style="border-right: 1px solid black;">DIAMETRAL PITCH</td><td style="text-align: right;">16/32</td></tr> <tr><td style="border-right: 1px solid black;">PRESSURE ANGLE</td><td style="text-align: right;">30°</td></tr> <tr><td style="border-right: 1px solid black;">NO. OF TEETH</td><td style="text-align: right;">13</td></tr> <tr><td style="border-right: 1px solid black;">MAJOR DIA.</td><td style="text-align: right;">.901-.906</td></tr> <tr><td style="border-right: 1px solid black;">MINOR DIA.</td><td style="text-align: right;">.754-.759</td></tr> <tr><td style="border-right: 1px solid black;">SPACE WIDTH</td><td style="text-align: right;">.1008-.1035</td></tr> </table> </div>	INTERNAL SPLINE DATE		DIAMETRAL PITCH	16/32	PRESSURE ANGLE	30°	NO. OF TEETH	13	MAJOR DIA.	.901-.906	MINOR DIA.	.754-.759	SPACE WIDTH	.1008-.1035	<div style="border: 1px solid black; padding: 5px;"> <p style="text-align: center; color: red; font-weight: bold;">58</p> <p style="text-align: center; color: red; font-weight: bold;">5/8"-9 TOOTH INTERNAL SPLINE</p>  <table style="width: 100%; border-collapse: collapse;"> <tr><td colspan="2" style="text-align: center; font-weight: bold;">INTERNAL SPLINE DATE</td></tr> <tr><td style="border-right: 1px solid black;">DIAMETRAL PITCH</td><td style="text-align: right;">16/32</td></tr> <tr><td style="border-right: 1px solid black;">PRESSURE ANGLE</td><td style="text-align: right;">30°</td></tr> <tr><td style="border-right: 1px solid black;">NO. OF TEETH</td><td style="text-align: right;">9</td></tr> <tr><td style="border-right: 1px solid black;">MAJOR DIA.</td><td style="text-align: right;">.680-.690</td></tr> <tr><td style="border-right: 1px solid black;">MINOR DIA.</td><td style="text-align: right;">.500-.510</td></tr> <tr><td style="border-right: 1px solid black;">SPACE WIDTH</td><td style="text-align: right;">.1008-.1035</td></tr> </table> </div>	INTERNAL SPLINE DATE		DIAMETRAL PITCH	16/32	PRESSURE ANGLE	30°	NO. OF TEETH	9	MAJOR DIA.	.680-.690	MINOR DIA.	.500-.510	SPACE WIDTH	.1008-.1035
INTERNAL SPLINE DATE																													
DIAMETRAL PITCH	16/32																												
PRESSURE ANGLE	30°																												
NO. OF TEETH	13																												
MAJOR DIA.	.901-.906																												
MINOR DIA.	.754-.759																												
SPACE WIDTH	.1008-.1035																												
INTERNAL SPLINE DATE																													
DIAMETRAL PITCH	16/32																												
PRESSURE ANGLE	30°																												
NO. OF TEETH	9																												
MAJOR DIA.	.680-.690																												
MINOR DIA.	.500-.510																												
SPACE WIDTH	.1008-.1035																												

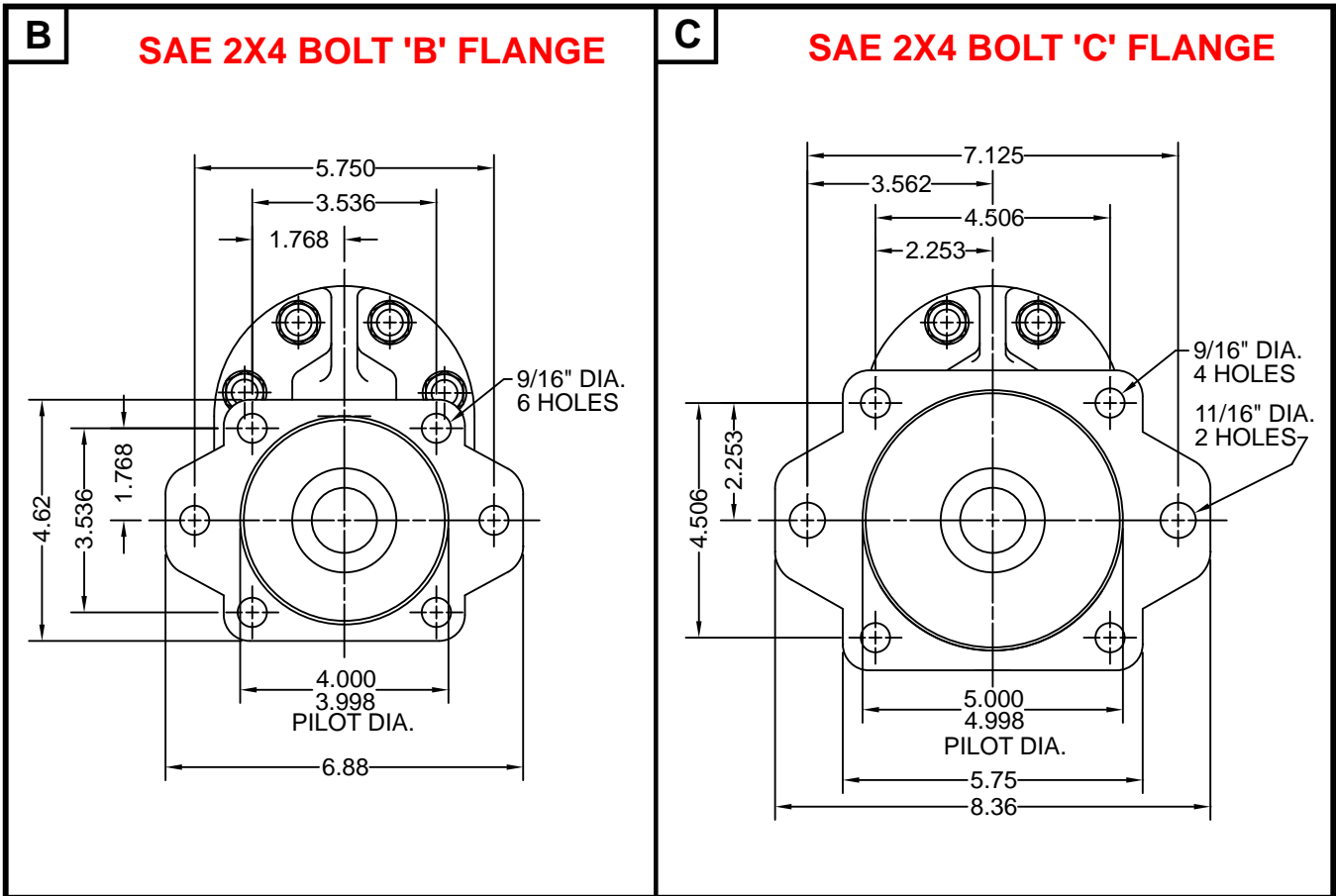
STANDARD SAE 4-BOLT CONNECTOR PORTS



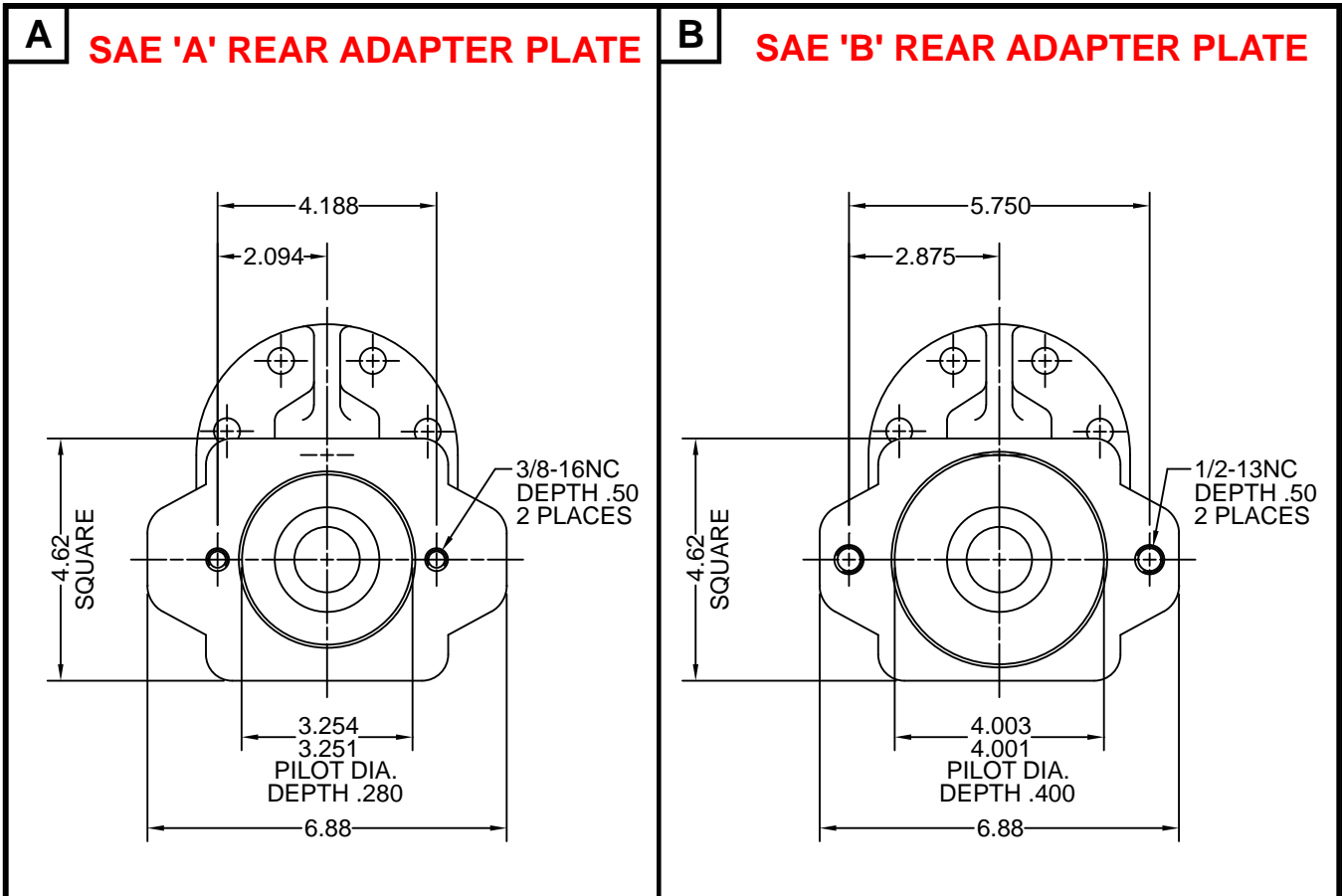
SAE 4-BOLT CONN. PORTS		
SIZE	INLET SIZE	OUTLET SIZE
DB15	1 1/4"	1"
DB20	1 1/4"	1"
DB25	1 1/2"	1 1/4"
DB30	1 1/2"	1 1/4"
DB35	1 1/2"	1 1/4"
DB40	2"	1 1/4"
DB45	2"	1 1/4"

4-BOLT CONNECTOR CHART					
SIZE	C	D	E	F	G
1"	.51	1.031	1.03	2.062	3/8-16NC
1 1/4"	.59	1.188	1.15	2.313	7/16-14NC
1 1/2"	.70	1.406	1.37	2.750	1/2-13NC
2"	.84	1.688	1.53	3.062	1/2-13NC

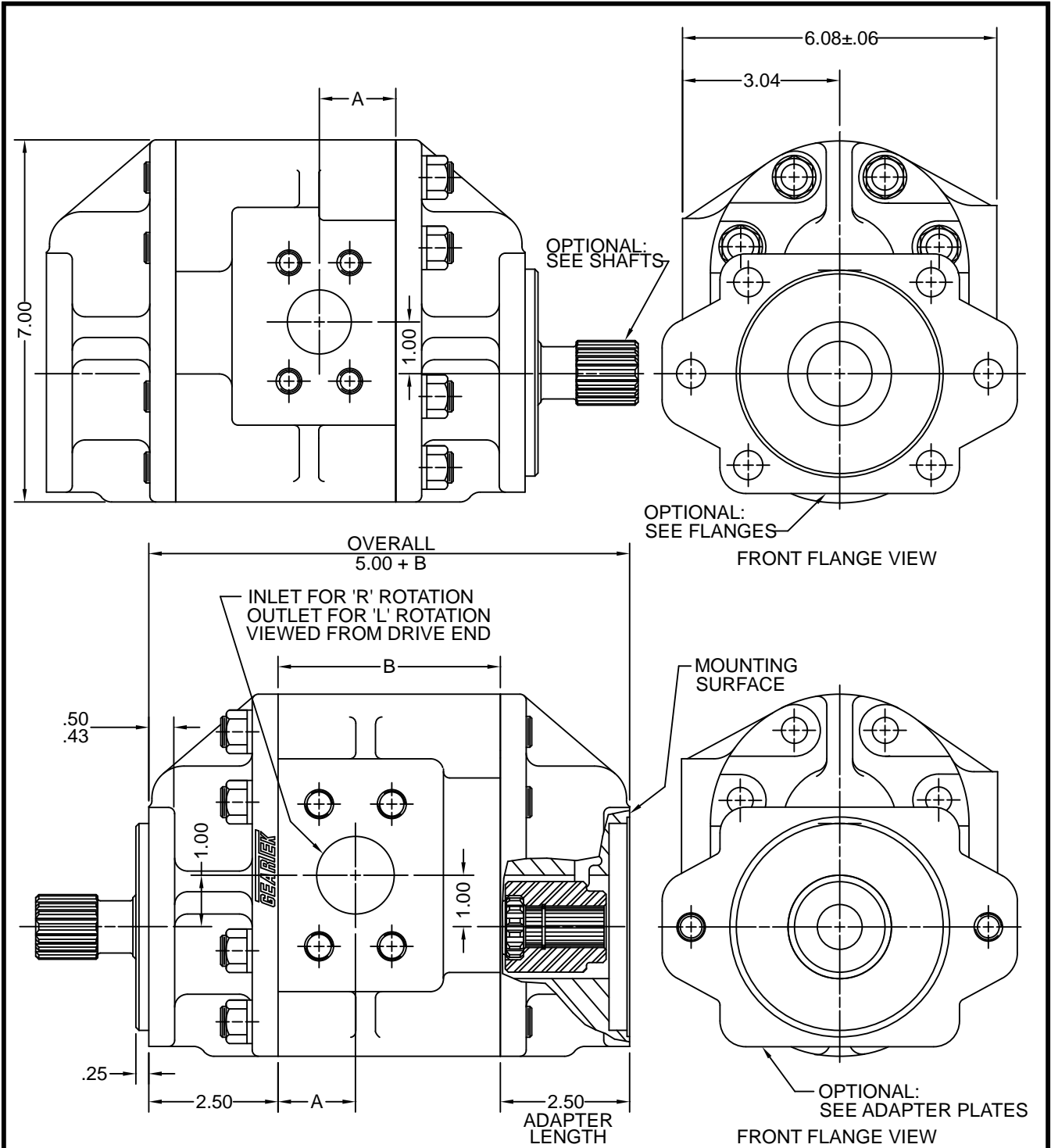
FLANGES AVAILABLE



REAR ADAPTERS AVAILABLE



DIMENSIONAL DATA



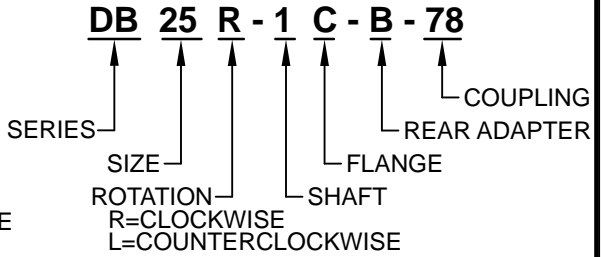
MOUNTING DIMENSIONS

SIZE	A	B
DB15	1.25	3.02
DB20	1.36	3.31
DB25	1.50	3.59
DB30	1.64	3.87
DB35	1.85	4.16
DB40	1.85	4.44
DB45	2.16	4.73

FOR METRIC DIMENSIONS
MULTIPLY 25.4 X IN. = mm

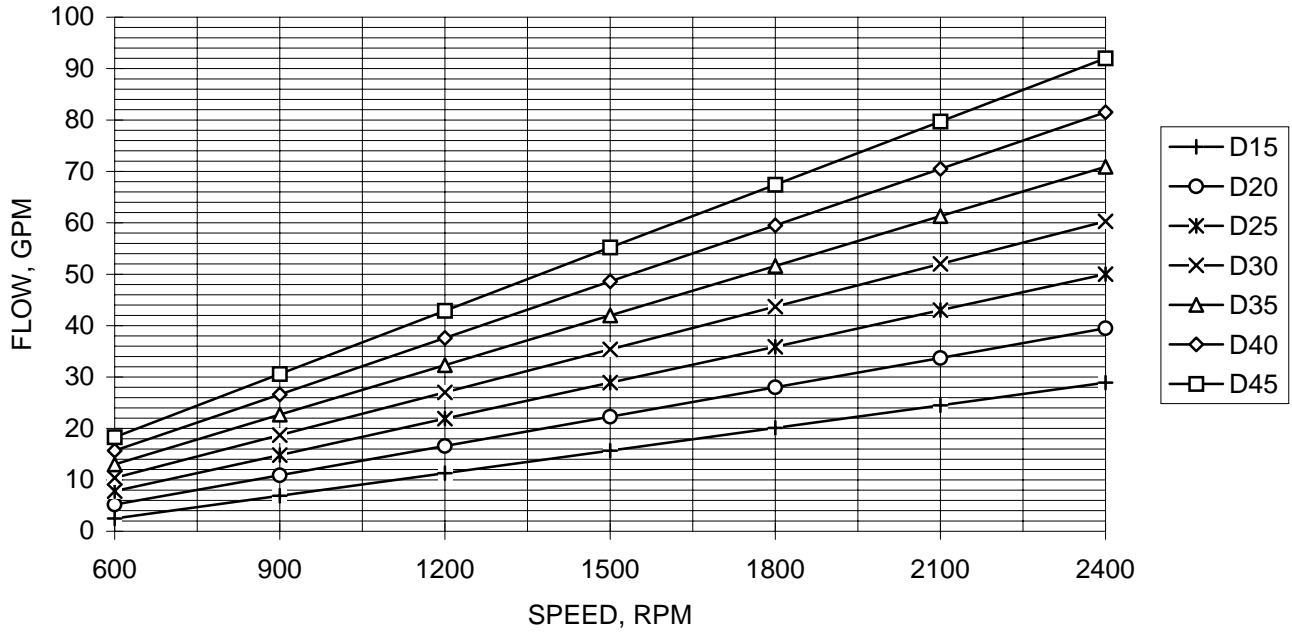
OTHER PORT TYPES AVAILABLE
CONSULT FACTORY

MODEL EXAMPLE

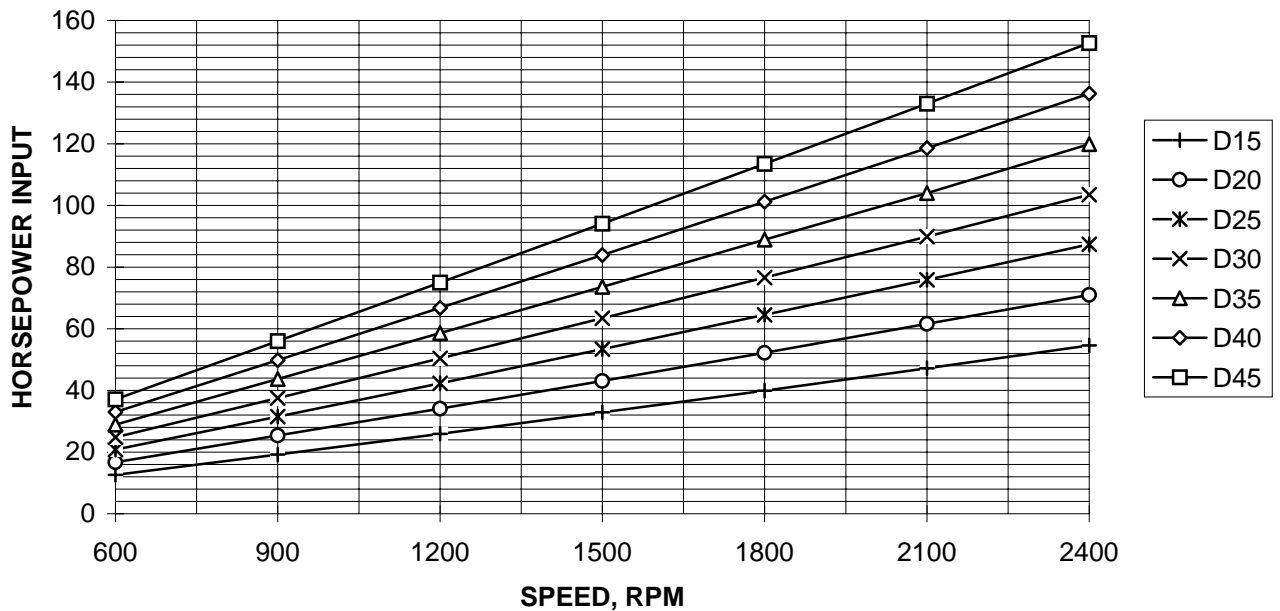


TYPICAL PERFORMANCE DATA
 SAE 10W oil @ 150 DEGREES FAHRENHEIT
 (150 SSU)

**'D' SERIES PUMP FLOW OUTPUT @ 2500 PSI - SAE 10W OIL
 @ 150 DEGREES FAHRENHEIT**



'D' SERIES PUMP HORSEPOWER IN @ 2500 PSI





HYDRAULIC GEAR PUMPS AND MOTORS

'DTC' Series

TANDEM PUMP



Performance Data

MODEL SIZE	DISPLACEMENT/REVOLUTION (THEORETICAL)			MAXIMUM NORMAL PRESSURE RATINGS		MAXIMUM SPEED (RPM)
	U.S. GALLONS	CUBIC INCHES	CUBIC CENT.	PSI	BAR	
D15	.0129	2.98	48.8	4000	276	2500
D20	.0172	3.97	65.1	3800	262	2500
D25	.0215	4.97	81.4	3000	207	2500
D30	.0258	5.96	97.6	2500	172	2500
D35	.0301	6.95	113.9	2500*	172	2500
D40	.0344	7.95	130.2	2500*	172	2500
D45	.0387	8.94	146.5	2500*	172	2500
C45	.0038	0.88	14.4	3500	241	2500
C65	.0055	1.27	20.8	3500	241	2500
C85	.0072	1.66	27.2	3500	241	2500
C100	.0085	1.96	32.1	3500	241	2500
C115	.0097	2.24	36.7	3000	207	2500
C150	.0127	2.93	48.1	2500	172	2500
C180	.0152	3.51	57.5	2500*	172	2500
C200	.0169	3.90	63.9	2500*	172	2200 **

* CONSULT FACTORY WITH TYPE APPLICATION

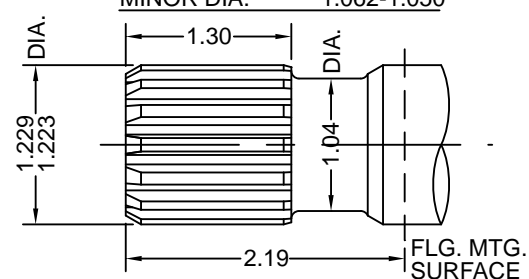
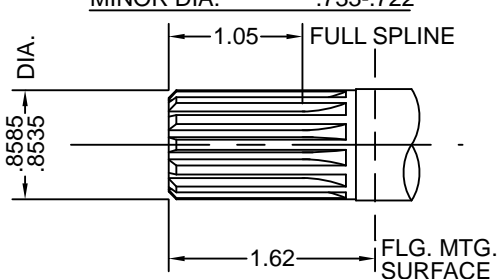
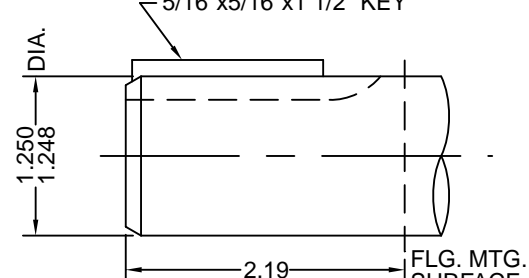
** WHEN USING C200 ON REAR - MAXIMUM SPEED FOR UNIT IS LIMITED TO 2200 RPM

- CAST IRON THROUGHOUT
- PRESSURES TO 4000 PSI
- FLOWS TO 97 GPM
- HEAVY DUTY SLEEVE TYPE BEARINGS
- DOUBLE VITON® SHAFT SEALS STANDARD
- PRESSURE COMPENSATED THRUST PLATES
- DESIGNED FOR HEAVY DUTY APPLICATIONS
- MULTI-STAGE CONFIGURATIONS
- VARIOUS SHAFT, FLANGE AND PORT OPTIONS
- PRECISION GEARS MACHINED FROM SOLID BAR STOCK
- COMPATIBLE WITH MOST FIRE RESISTANT FLUIDS
- CONTAMINANT RESISTANT
- COMPUTER DESIGNED AND MANUFACTURED
- QUALITY CERTIFIED
- FLEXIBLE DESIGN FOR NEW OR OEM REPLACEMENTS
- SERVICE SUPPORTED BY DEDICATION AND INVENTORY

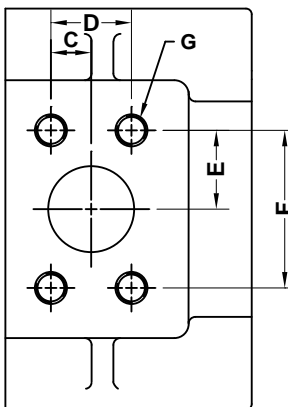
P. O. BOX 2160, 1506 FULTON DR.
CORINTH, MISSISSIPPI 38835

Phone: 662/286-2252 Fax: 662/287-6580 E-mail: haisales@geartek.com Http: www.geartek.com

SHAFTS AVAILABLE

<div style="border: 1px solid black; padding: 5px;"> <p style="text-align: center; font-weight: bold; color: red; font-size: 1.2em;">1 1 1/4"-14 TOOTH SPLINE</p> <p style="text-align: center;">TORQUE LIMIT 650 FT./LBS.</p> <p style="text-align: center; font-weight: bold;">SPLINE DATA</p> <table style="width: 100%; border-collapse: collapse;"> <tr><td style="border-bottom: 1px solid black;">DIAMETRAL PITCH</td><td style="border-bottom: 1px solid black;">12/24</td></tr> <tr><td style="border-bottom: 1px solid black;">PRESSURE ANGLE</td><td style="border-bottom: 1px solid black;">30°</td></tr> <tr><td style="border-bottom: 1px solid black;">NO. OF TEETH</td><td style="border-bottom: 1px solid black;">14</td></tr> <tr><td style="border-bottom: 1px solid black;">MINOR DIA.</td><td style="border-bottom: 1px solid black;">1.062-1.050</td></tr> </table>  </div>	DIAMETRAL PITCH	12/24	PRESSURE ANGLE	30°	NO. OF TEETH	14	MINOR DIA.	1.062-1.050	<div style="border: 1px solid black; padding: 5px;"> <p style="text-align: center; font-weight: bold; color: red; font-size: 1.2em;">4 7/8"-13 TOOTH SPLINE</p> <p style="text-align: center;">AVAILABLE ON 15 THRU 35 SIZES TORQUE LIMIT 184 FT./LBS.</p> <p style="text-align: center; font-weight: bold;">SPLINE DATA</p> <table style="width: 100%; border-collapse: collapse;"> <tr><td style="border-bottom: 1px solid black;">DIAMETRAL PITCH</td><td style="border-bottom: 1px solid black;">16/32</td></tr> <tr><td style="border-bottom: 1px solid black;">PRESSURE ANGLE</td><td style="border-bottom: 1px solid black;">30°</td></tr> <tr><td style="border-bottom: 1px solid black;">NO. OF TEETH</td><td style="border-bottom: 1px solid black;">13</td></tr> <tr><td style="border-bottom: 1px solid black;">MINOR DIA.</td><td style="border-bottom: 1px solid black;">.733-.722</td></tr> </table>  </div>	DIAMETRAL PITCH	16/32	PRESSURE ANGLE	30°	NO. OF TEETH	13	MINOR DIA.	.733-.722
DIAMETRAL PITCH	12/24																
PRESSURE ANGLE	30°																
NO. OF TEETH	14																
MINOR DIA.	1.062-1.050																
DIAMETRAL PITCH	16/32																
PRESSURE ANGLE	30°																
NO. OF TEETH	13																
MINOR DIA.	.733-.722																
<div style="border: 1px solid black; padding: 5px;"> <p style="text-align: center; font-weight: bold; color: red; font-size: 1.2em;">3 1 1/4" STRAIGHT</p> <p style="text-align: center;">TORQUE LIMIT 650 FT./LBS.</p> <p style="text-align: center;">5/16"x5/16"x1 1/2" KEY</p>  </div>																	

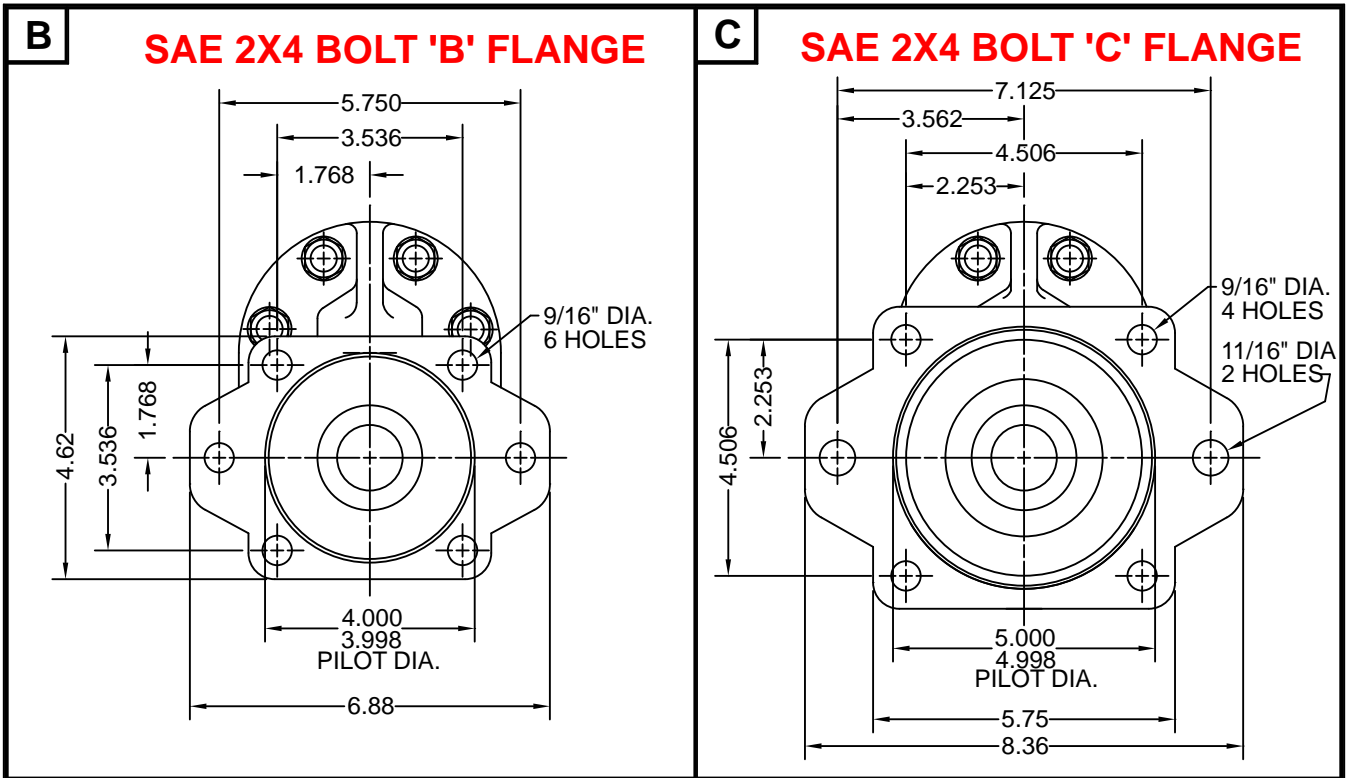
STANDARD SAE 4-BOLT CONNECTOR PORTS



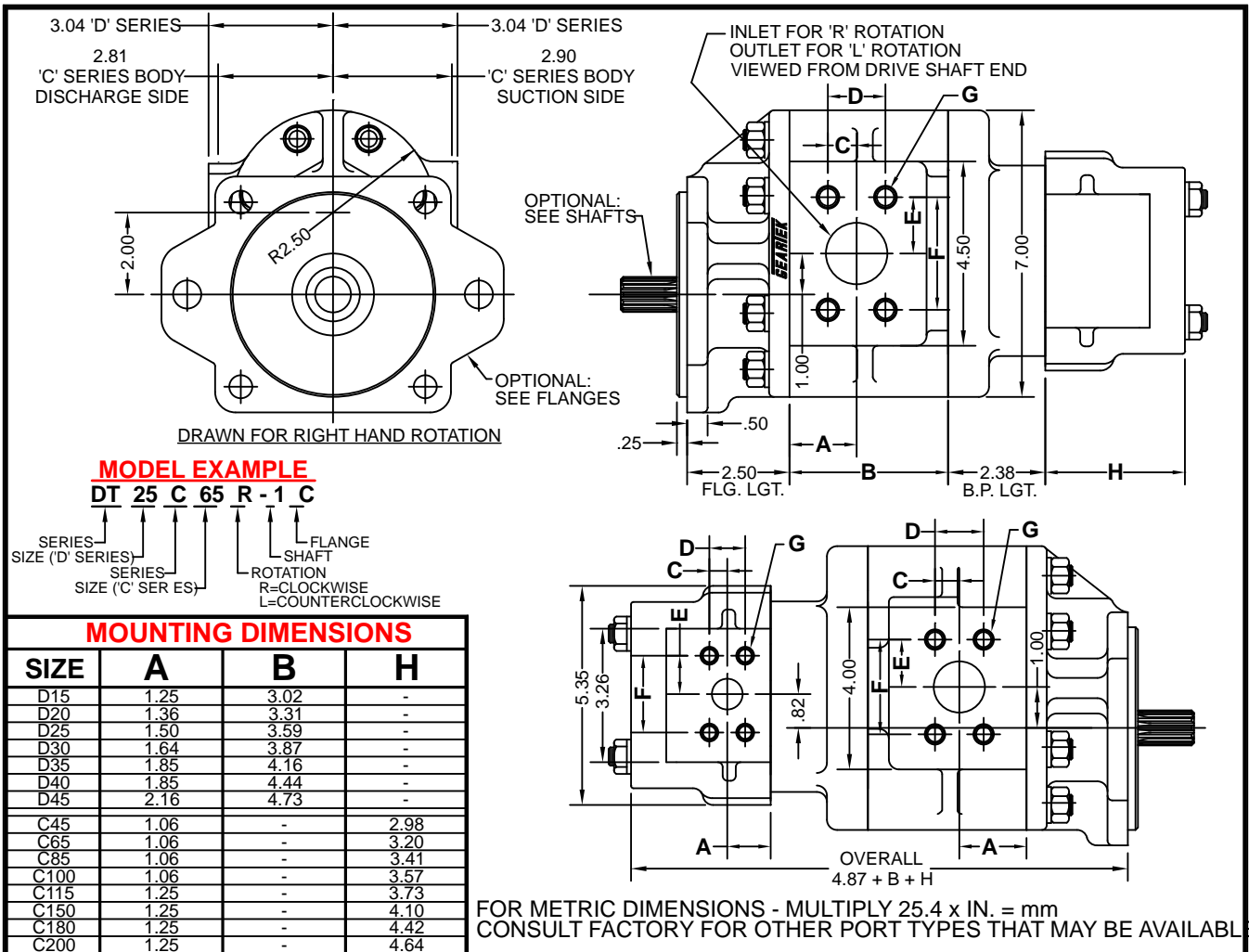
SAE 4-BOLT CONN. PORTS		
SIZE	INLET SIZE	OUTLET SIZE
D15	1 1/2"	1"
D20	1 1/2"	1"
D25	2"	1 1/4"
D30	2"	1 1/4"
D35	2"	1 1/4"
D40	2 1/2"	1 1/4"
D45	2 1/2"	1 1/4"
C45	-	3/4"
C65	-	3/4"
C85	-	3/4"
C100	-	3/4"
C115	-	3/4"
C150	-	3/4"
C180	-	3/4"
C200	-	3/4"

4-BOLT CONNECTOR CHART					
SIZE	C	D	E	F	G
3/4"	.43	.875	.93	1.875	3/8-16NC
1"	.51	1.031	1.03	2.062	3/8-16NC
1 1/4"	.59	1.188	1.15	2.313	7/16-14NC
1 1/2"	.70	1.406	1.37	2.750	1/2-13NC
2"	.84	1.688	1.53	3.062	1/2-13NC
2 1/2"	1.00	2.000	1.75	3.500	1/2-13NC

FLANGES AVAILABLE



DIMENSIONAL DATA



UNLESS OTHERWISE SPECIFIED, ALL LINEAR DIMENSIONS ARE IN INCHES.

**FOR TYPICAL PERFORMANCE DATA
FOR FRONT SECTION OF "DTC" SERIES
USE THE 'D' SERIES STANDARD CURVES**

**FOR TYPICAL PERFORMANCE DATA
FOR REAR SECTION OF "DTC" SERIES
USE THE 'C' SERIES STANDARD CURVES**

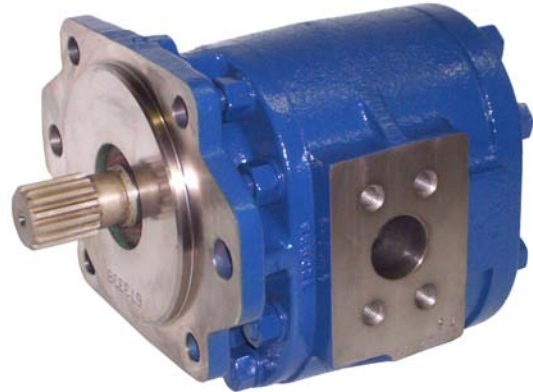
GEARTEK[®] FLUID POWER PUMPS AND MOTORS
DIVISION OF HYDRAULIC ANALYSIS, INC.



HYDRAULIC GEAR PUMPS AND MOTORS

'HD' Series

SINGLE PUMP



Performance Data

MODEL SIZE	DISPLACEMENT/REVOLUTION (THEORETICAL)			PRESSURE RATINGS				MAXIMUM SPEED (RPM)
				NORMAL DUTY		SEVERE DUTY		
	U.S. GALLONS	CUBIC INCHES	CUBIC CENT.	PSI	BAR	PSI	BAR	
HD15	.0129	2.98	48.8	4000	276	3800	262	2500
HD20	.0172	3.97	65.1	4000	276	3800	262	2500
HD25	.0215	4.97	81.4	4000	276	3100	214	2500
HD30	.0258	5.96	97.6	3300	228	2600	179	2500
HD35	.0301	6.95	113.9	2900	200	2300	159	2500
HD40	.0344	7.95	130.2	2500*	172	2000	138	2500
HD45	.0387	8.94	146.5	2500*	172	2000*	138	2500

* CONSULT FACTORY WITH TYPE APPLICATION PRESSURES MAY BE LIMITED TO SHAFT TYPE

CAST IRON THROUGHOUT
 PRESSURES TO 4000 PSI
 FLOWS TO 97 GPM
 HEAVY DUTY SLEEVE TYPE BEARINGS
 DOUBLE VITON® SHAFT SEALS STANDARD
 PRESSURE COMPENSATED THRUST PLATES
 DESIGNED FOR HEAVY DUTY APPLICATIONS
 SINGLE AND MULTI-STAGE CONFIGURATIONS

VARIOUS SHAFT, FLANGE AND PORT OPTIONS
 PRECISION GEARS MACHINED FROM SOLID BAR STOCK
 COMPATIBLE WITH MOST FIRE RESISTANT FLUIDS
 CONTAMINANT RESISTANT
 COMPUTER DESIGNED AND MANUFACTURED
 QUALITY CERTIFIED
 FLEXIBLE DESIGN FOR NEW OR OEM REPLACEMENTS
 SERVICE SUPPORTED BY DEDICATION AND INVENTORY

P. O. BOX 2160, 1506 FULTON DR.
 CORINTH, MISSISSIPPI 38835

Phone: 662/286-2252 Fax: 662/287-6580 E-mail: haisales@geartek.com Http: www.geartek.com

SHAFTS AVAILABLE

1

1 1/4"-14 TOOTH SPLINE
TORQUE LIMIT 650 FT./LBS.

SPLINE DATA

DIAMETRAL PITCH	12/24
PRESSURE ANGLE	30°
NO. OF TEETH	14
MINOR DIA.	1.062-1.050

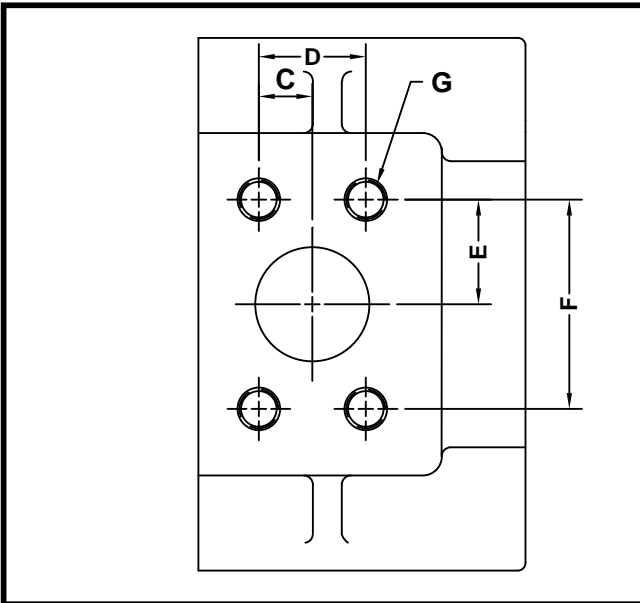
2

1" STRAIGHT
AVAILABLE ON 15 THRU 35 SIZES
TORQUE LIMIT 341 FT./LBS.

3

1 1/4" STRAIGHT
TORQUE LIMIT 650 FT./LBS.

STANDARD SAE 4-BOLT CONNECTOR PORTS



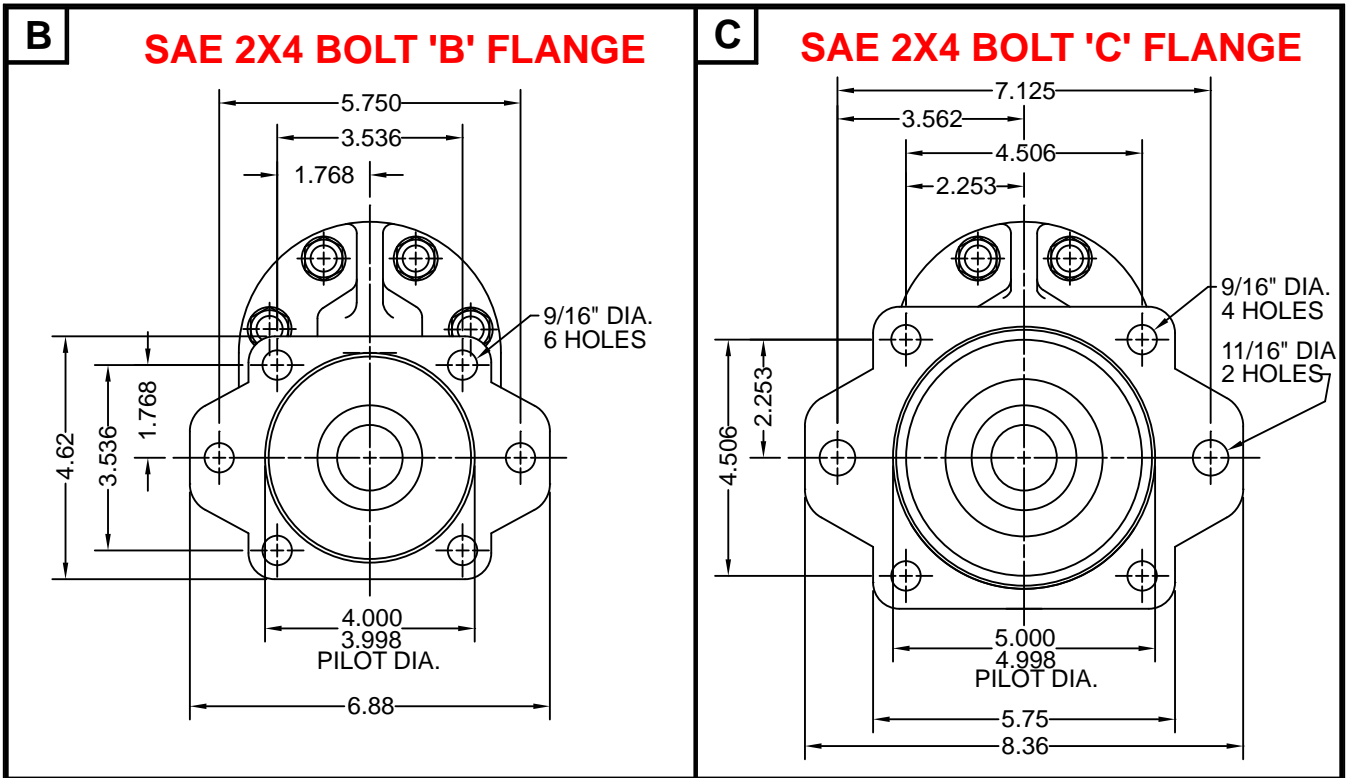
SAE 4-BOLT CONN. PORTS

SIZE	INLET SIZE	OUTLET SIZE
HD15	1 1/4"	1"
HD20	1 1/4"	1"
HD25	1 1/2"	1 1/4"
HD30	1 1/2"	1 1/4"
HD35	1 1/2"	1 1/4"
HD40	2"	1 1/4"
HD45	2"	1 1/4"

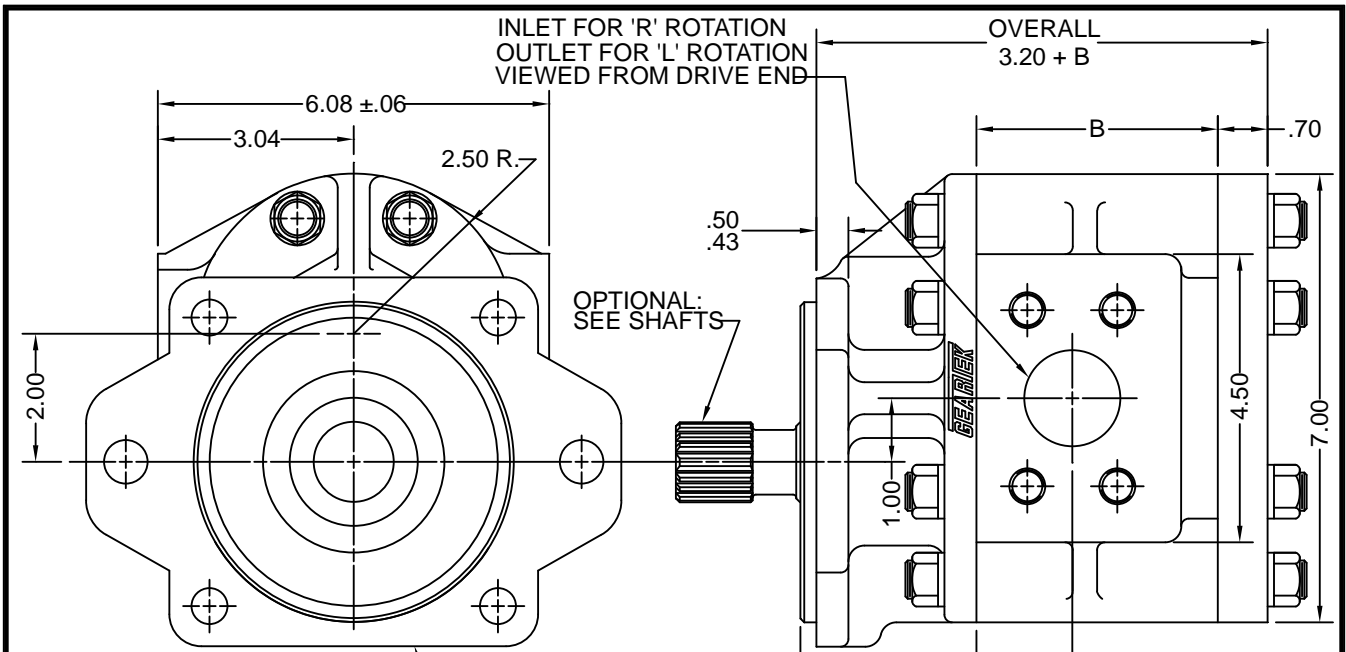
4-BOLT CONNECTOR CHART

SIZE	C	D	E	F	G
1"	.51	1.031	1.03	2.062	3/8-16NC
1 1/4"	.59	1.188	1.15	2.313	7/16-14NC
1 1/2"	.70	1.406	1.37	2.750	1/2-13NC
2"	.84	1.688	1.53	3.062	1/2-13NC

FLANGES AVAILABLE



DIMENSIONAL DATA



MOUNTING DIMENSIONS

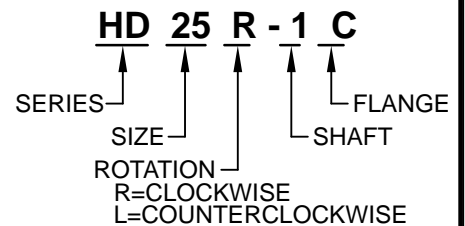
SIZE	A	B
HD15	1.25	3.02
HD20	1.36	3.81
HD25	1.50	4.09
HD30	1.64	4.38
HD35	1.85	4.66
HD40	1.85	4.95
HD45	2.16	5.23

FOR METRIC DIMENSIONS
MULTIPLY 25.4 X IN. = mm

OTHER PORT TYPES AVAILABLE
CONSULT FACTORY

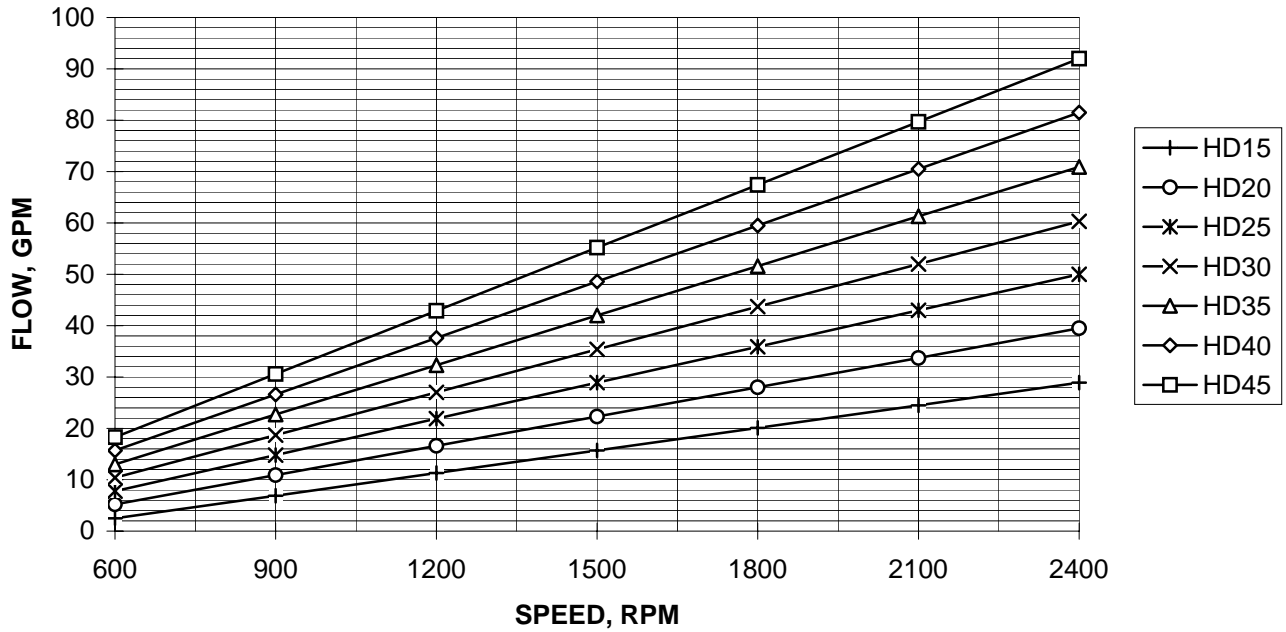
OPTIONAL:
SEE SHAFTS

MODEL EXAMPLE

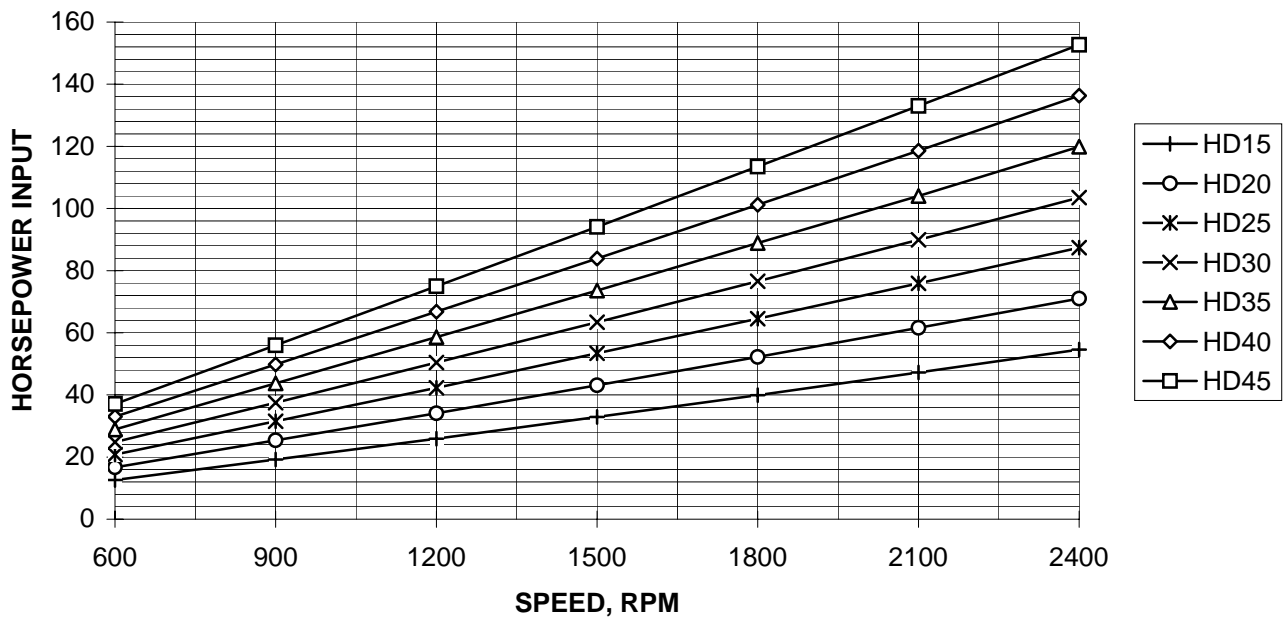


TYPICAL PERFORMANCE DATA
 SAE 10W oil @ 150 DEGREES FAHRENHEIT
 (150 SSU)

**HD SERIES PUMP FLOW OUTPUT @ 2500 PSI - SAE 10W OIL
 @ 150 DEGREES FAHRENHEIT**



'HD' SERIES PUMP HORSEPOWER IN @ 2500 PSI

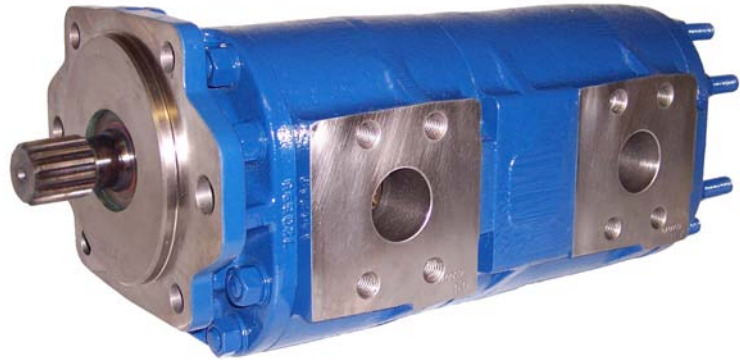




HYDRAULIC GEAR PUMPS AND MOTORS

'HD' Series

2 SECTION PUMP



Performance Data

MODEL SIZE	DISPLACEMENT/REVOLUTION (THEORETICAL)			PRESSURE RATINGS								MAXIMUM SPEED (RPM)
				FRONT SECTION				REAR SECTION				
	U.S. GALLONS	CUBIC INCHES	CUBIC CENT.	NORMAL DUTY		SEVERE DUTY		NORMAL DUTY		SEVERE DUTY		
				PSI	BAR	PSI	BAR	PSI	BAR	PSI	BAR	
HD15	.0129	2.98	48.8	4000	276	3800	262	4000	276	3800	262	2500
HD20	.0172	3.97	65.1	4000	276	3800	262	4000	276	3300	228	2500
HD25	.0215	4.97	81.4	4000	276	3100	214	3300	228	2600	179	2500
HD30	.0258	5.96	97.6	3300	228	2600	179	2900	200	2200	152	2500
HD35	.0301	6.95	113.9	2900	200	2300	159	2500*	172	2000*	138	2500
HD40	.0344	7.95	130.2	2500*	172	2000	138	2500*	172	2000*	138	2500
HD45	.0387	8.94	146.5	2500*	172	2000*	138	2500*	172	2000*	138	2500

* CONSULT FACTORY WITH TYPE APPLICATION
PRESSURES MAY BE LIMITED TO SHAFT TYPE

CAST IRON THROUGHOUT
PRESSURES TO 4000 PSI
FLOWS TO 97 GPM
HEAVY DUTY SLEEVE TYPE BEARINGS
DOUBLE VITON® SHAFT SEALS STANDARD
PRESSURE COMPENSATED THRUST PLATES
DESIGNED FOR HEAVY DUTY APPLICATIONS
SINGLE AND MULTI-STAGE CONFIGURATIONS

VARIOUS SHAFT, FLANGE AND PORT OPTIONS
PRECISION GEARS MACHINED FROM SOLID BAR STOCK
COMPATIBLE WITH MOST FIRE RESISTANT FLUIDS
CONTAMINANT RESISTANT
COMPUTER DESIGNED AND MANUFACTURED
QUALITY CERTIFIED
FLEXIBLE DESIGN FOR NEW OR OEM REPLACEMENTS
SERVICE SUPPORTED BY DEDICATION AND INVENTORY

P. O. BOX 2160, 1506 FULTON DR.
CORINTH, MISSISSIPPI 38835

Phone: 662/286-2252 Fax: 662/287-6580 E-mail: haisales@geartek.com Http: www.geartek.com

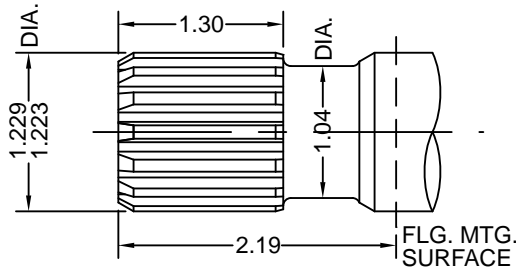
SHAFTS AVAILABLE

1

1 1/4"-14 TOOTH SPLINE TORQUE LIMIT 650 FT./LBS.

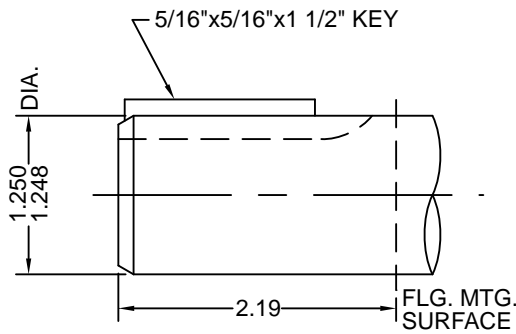
SPLINE DATA

DIAMETRAL PITCH	12/24
PRESSURE ANGLE	30°
NO. OF TEETH	14
MINOR DIA.	1.062-1.050

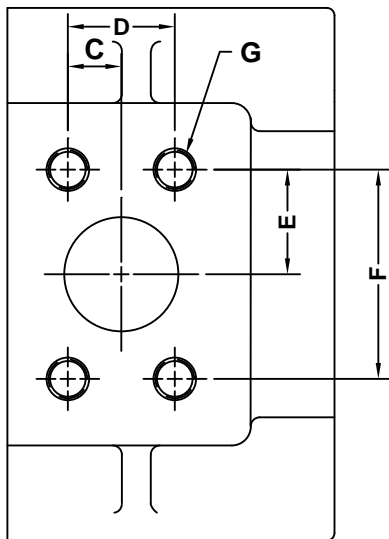


3

1 1/4" STRAIGHT TORQUE LIMIT 650 FT./LBS.



STANDARD SAE 4-BOLT CONNECTOR PORTS



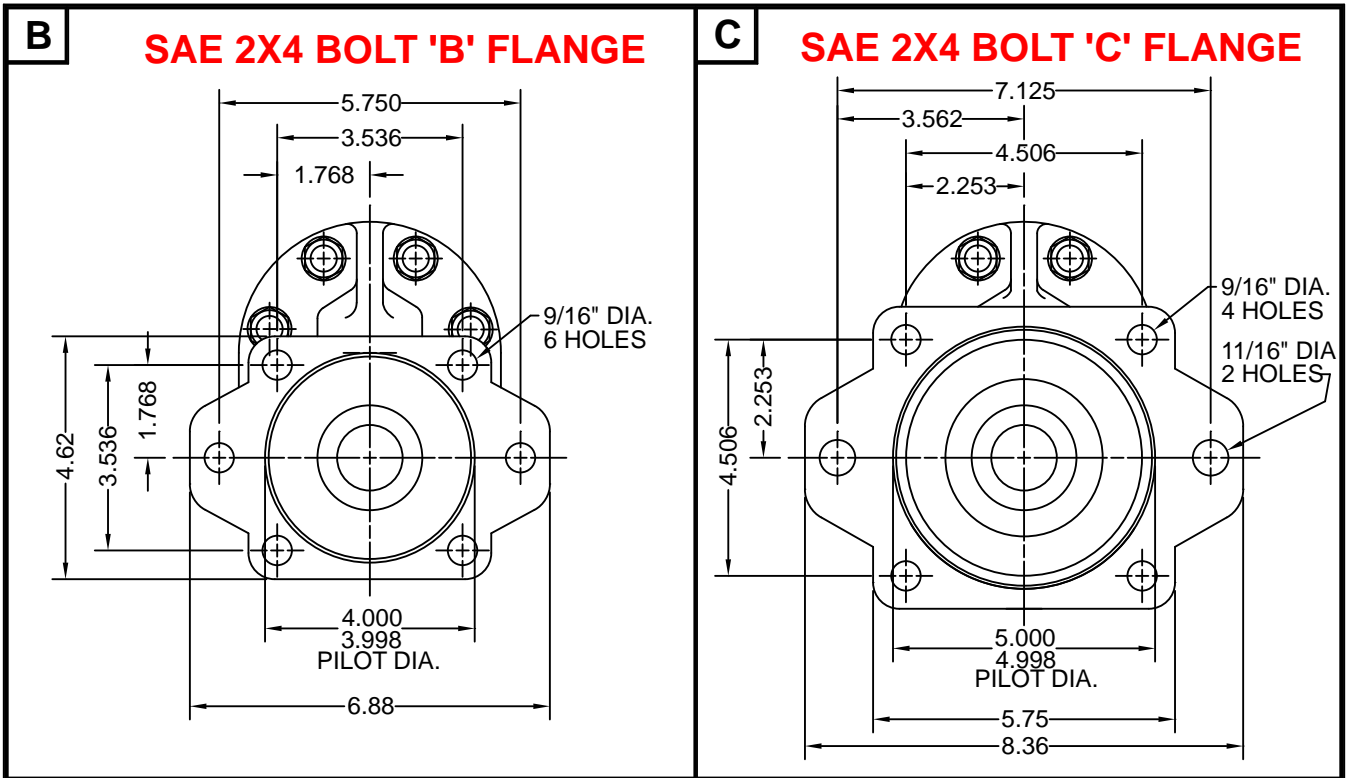
SAE 4-BOLT CONN. PORTS

SIZE	INLET SIZE	OUTLET SIZE
HD15	1 1/4"	1"
HD20	1 1/4"	1"
HD25	1 1/2"	1 1/4"
HD30	1 1/2"	1 1/4"
HD35	1 1/2"	1 1/4"
HD40	2"	1 1/4"
HD45	2"	1 1/4"

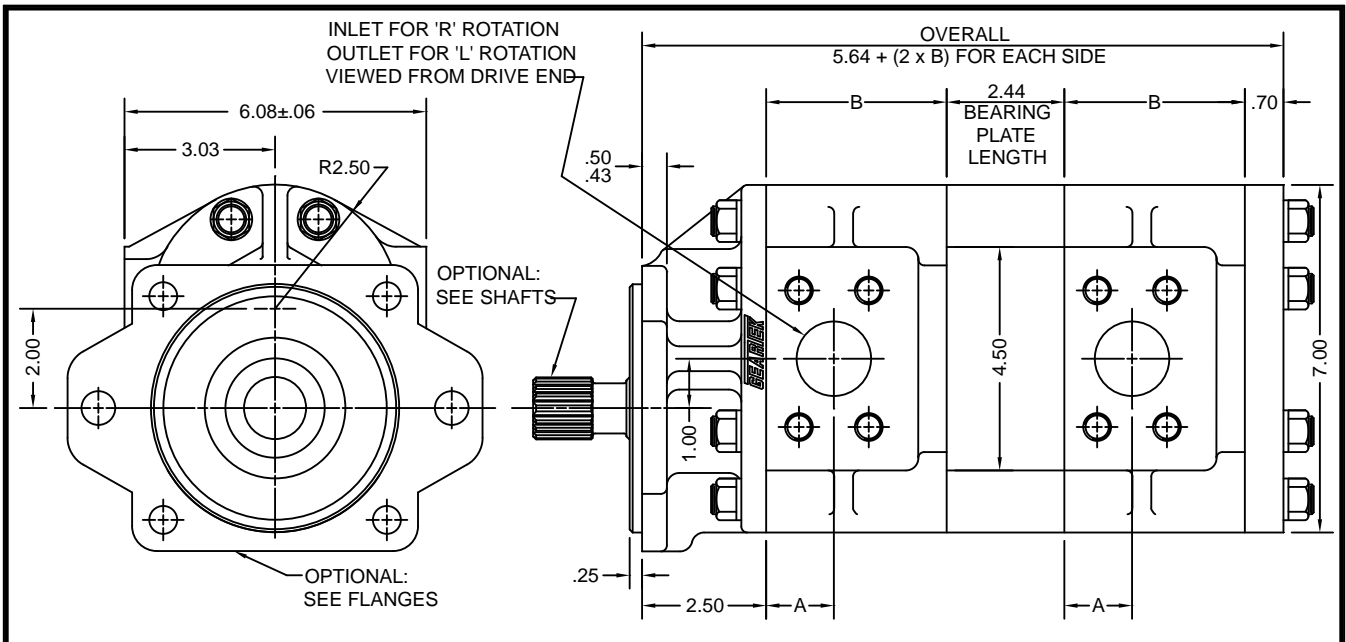
4-BOLT CONNECTOR CHART

SIZE	C	D	E	F	G
1"	.51	1.031	1.03	2.062	3/8-16NC
1 1/4"	.59	1.188	1.15	2.313	7/16-14NC
1 1/2"	.70	1.406	1.37	2.750	1/2-13NC
2"	.84	1.688	1.53	3.062	1/2-13NC

FLANGES AVAILABLE



DIMENSIONAL DATA



MOUNTING DIMENSIONS

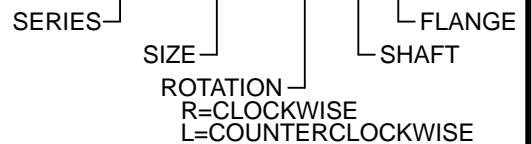
SIZE	A	B
HD15	1.25	3.02
HD20	1.36	3.81
HD25	1.50	4.09
HD30	1.64	4.38
HD35	1.85	4.66
HD40	1.85	4.95
HD45	2.16	5.23

FOR METRIC DIMENSIONS
MULTIPLY 25.4 X IN. = mm

OTHER PORT TYPES AVAILABLE
CONSULT FACTORY

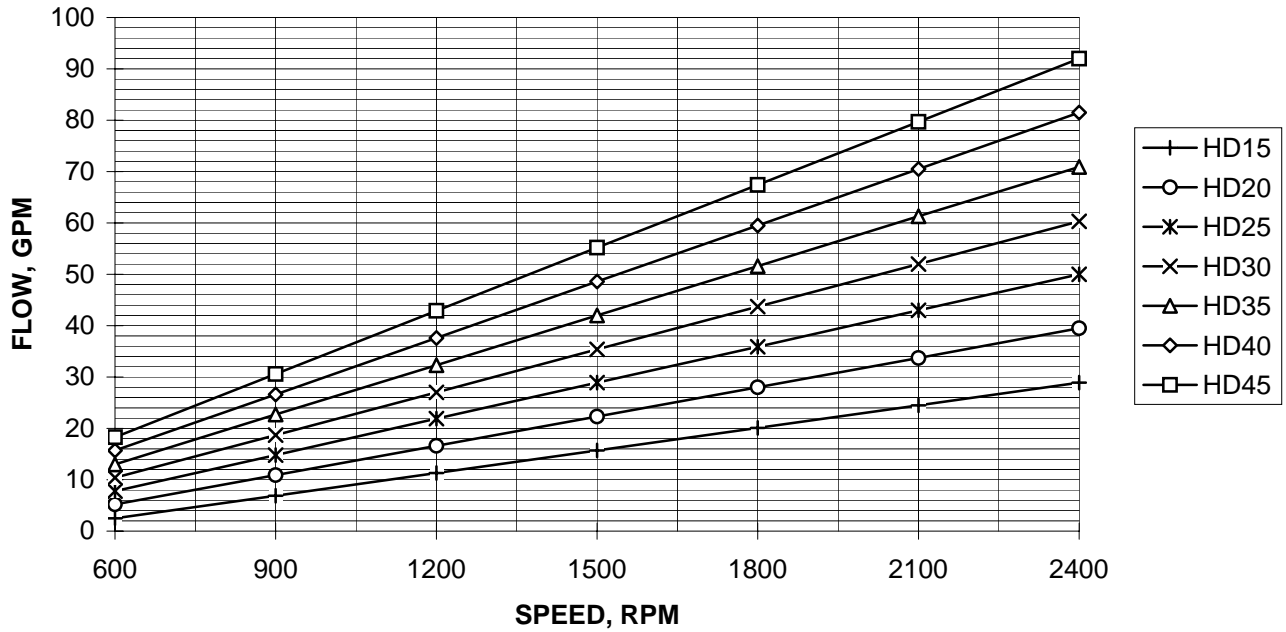
MODEL EXAMPLE

HD 25 - 25 R - 1 C

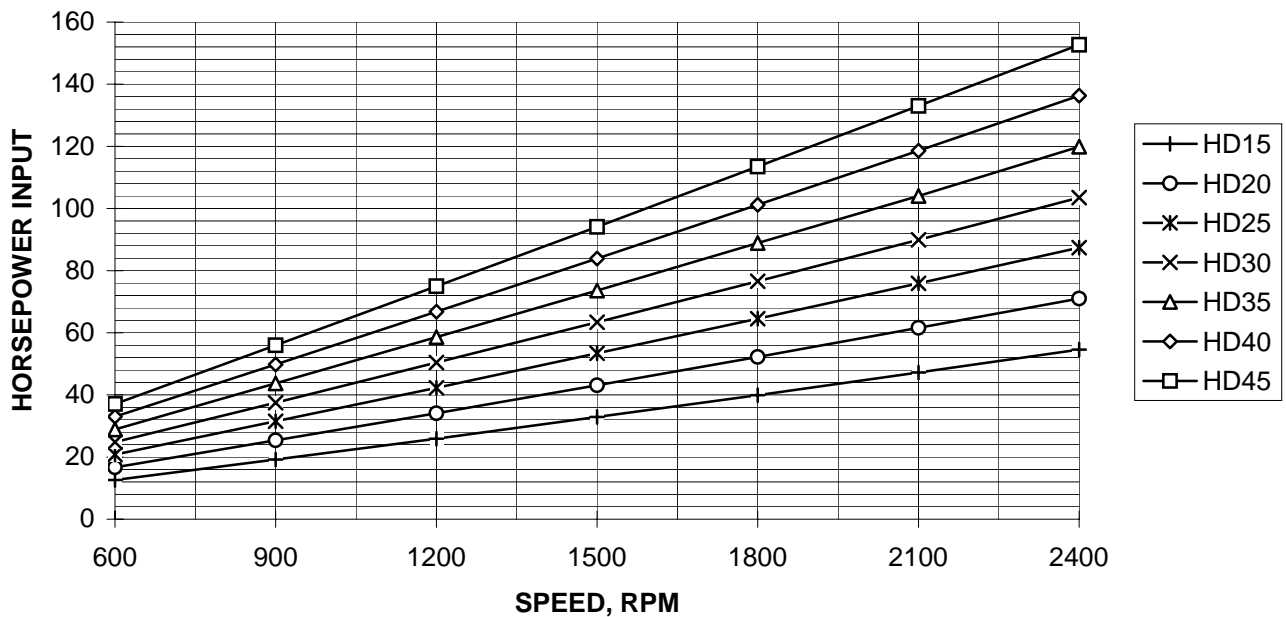


TYPICAL PERFORMANCE DATA
 SAE 10W oil @ 150 DEGREES FAHRENHEIT
 (150 SSU)

**HD SERIES PUMP FLOW OUTPUT @ 2500 PSI - SAE 10W OIL
 @ 150 DEGREES FAHRENHEIT**



'HD' SERIES PUMP HORSEPOWER IN @ 2500 PSI





HYDRAULIC GEAR PUMPS AND MOTORS

'HDB' Series

PIGGY-BACK



Performance Data

MODEL SIZE	DISPLACEMENT/REVOLUTION (THEORETICAL)			PRESSURE RATINGS				MAXIMUM SPEED (RPM)
	U.S. GALLONS	CUBIC INCHES	CUBIC CENT.	NORMAL DUTY		SEVERE DUTY		
				PSI	BAR	PSI	BAR	
HDB15	.0129	2.98	48.8	4000	276	3800	262	2500
HDB20	.0172	3.97	65.1	4000	276	3800	262	2500
HDB25	.0215	4.97	81.4	4000	276	3100	214	2500
HDB30	.0258	5.96	97.6	3300	228	2600	179	2500
HDB35	.0301	6.95	113.9	2900	200	2300	160	2500
HDB40	.0344	7.95	130.2	2500*	172	2000	138	2500
HDB45	.0387	8.94	146.5	2500*	172	2000*	138	2500

* CONSULT FACTORY WITH TYPE APPLICATION PRESSURES MAY BE LIMITED TO SHAFT TYPE

- CAST IRON THROUGHOUT
- PRESSURES TO 4000 PSI
- FLOWS TO 97 GPM
- HEAVY DUTY SLEEVE TYPE BEARINGS
- DOUBLE VITON® SHAFT SEALS STANDARD
- PRESSURE COMPENSATED THRUST PLATES
- DESIGNED FOR HEAVY DUTY APPLICATIONS
- SINGLE AND MULTI-STAGE CONFIGURATIONS
- VARIOUS SHAFT, FLANGE AND PORT OPTIONS
- PRECISION GEARS MACHINED FROM SOLID BAR STOCK
- COMPATIBLE WITH MOST FIRE RESISTANT FLUIDS
- CONTAMINANT RESISTANT
- COMPUTER DESIGNED AND MANUFACTURED
- QUALITY CERTIFIED
- FLEXIBLE DESIGN FOR NEW OR OEM REPLACEMENTS
- SERVICE SUPPORTED BY DEDICATION AND INVENTORY

P. O. BOX 2160, 1506 FULTON DR.
CORINTH, MISSISSIPPI 38835

Phone: 662/286-2252 Fax: 662/287-6580 E-mail: haisales@geartek.com Http: www.geartek.com

SHAFTS AVAILABLE

<p>1 1 1/4"-14 TOOTH SPLINE TORQUE LIMIT 650 FT/LBS SPLINE DATA DIAMETRAL PITCH 12/24 PRESSURE ANGLE 30° NO. OF TEETH 14 MINOR DIA. 1.062-1.050</p>	<p>3 1 1/4" STRAIGHT TORQUE LIMIT 650 FT/LBS</p>
---	---

REAR COUPLINGS AVAILABLE

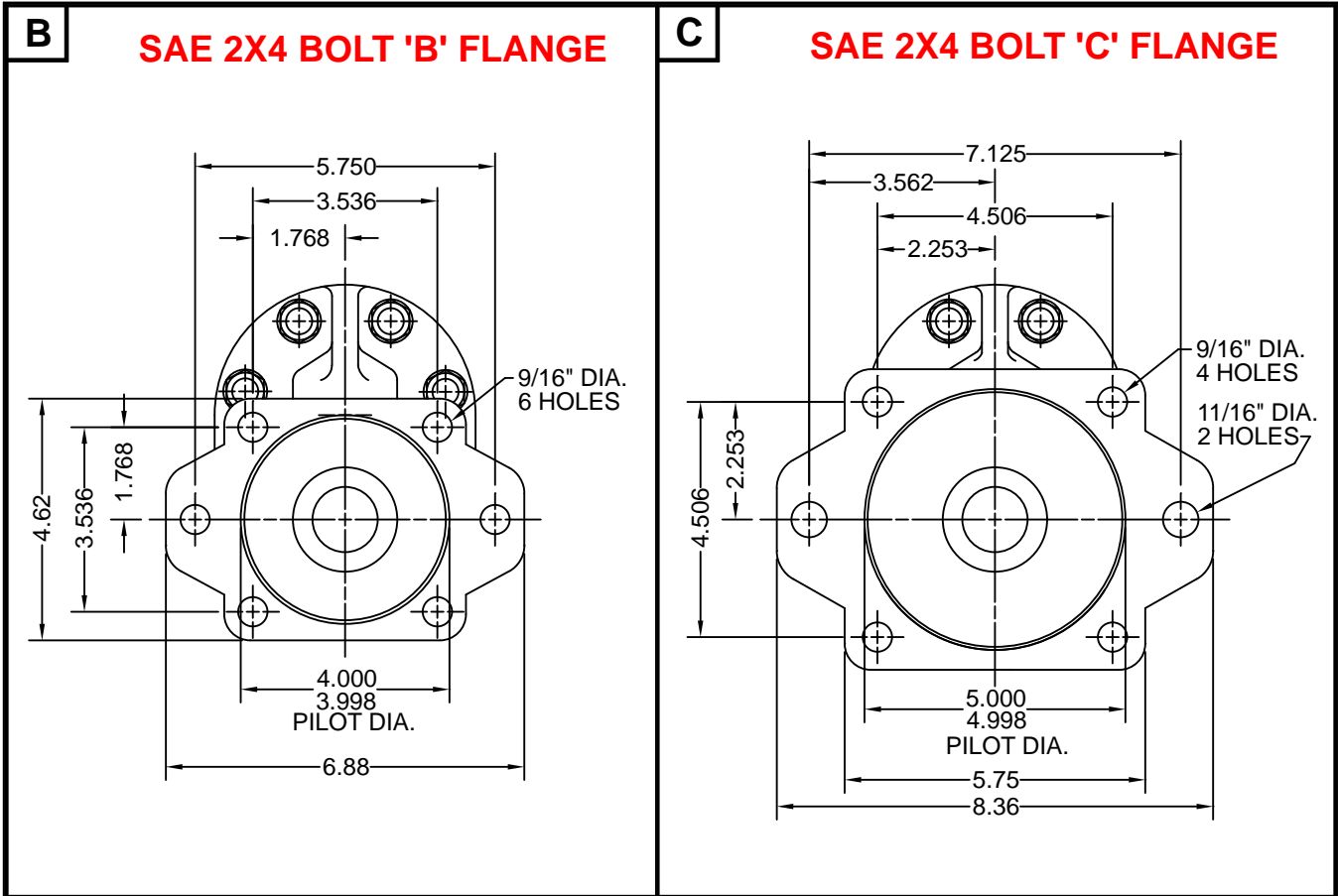
<p>78 7/8"-13 TOOTH INTERNAL SPLINE SEE INSTRUCTION SHEET 110102 WHEN MOUNTING GEARTEK 'D/HD' ON REAR</p> <p>INTERNAL SPLINE DATE DIAMETRAL PITCH 16/32 PRESSURE ANGLE 30° NO. OF TEETH 13 MAJOR DIA. .901-.906 MINOR DIA. .754-.759 SPACE WIDTH .1008-.1035</p>	<p>58 5/8"-9 TOOTH INTERNAL SPLINE</p> <p>INTERNAL SPLINE DATE DIAMETRAL PITCH 16/32 PRESSURE ANGLE 30° NO. OF TEETH 9 MAJOR DIA. .680-.690 MINOR DIA. .500-.510 SPACE WIDTH .1008-.1035</p>
---	---

STANDARD SAE 4-BOLT CONNECTOR PORTS

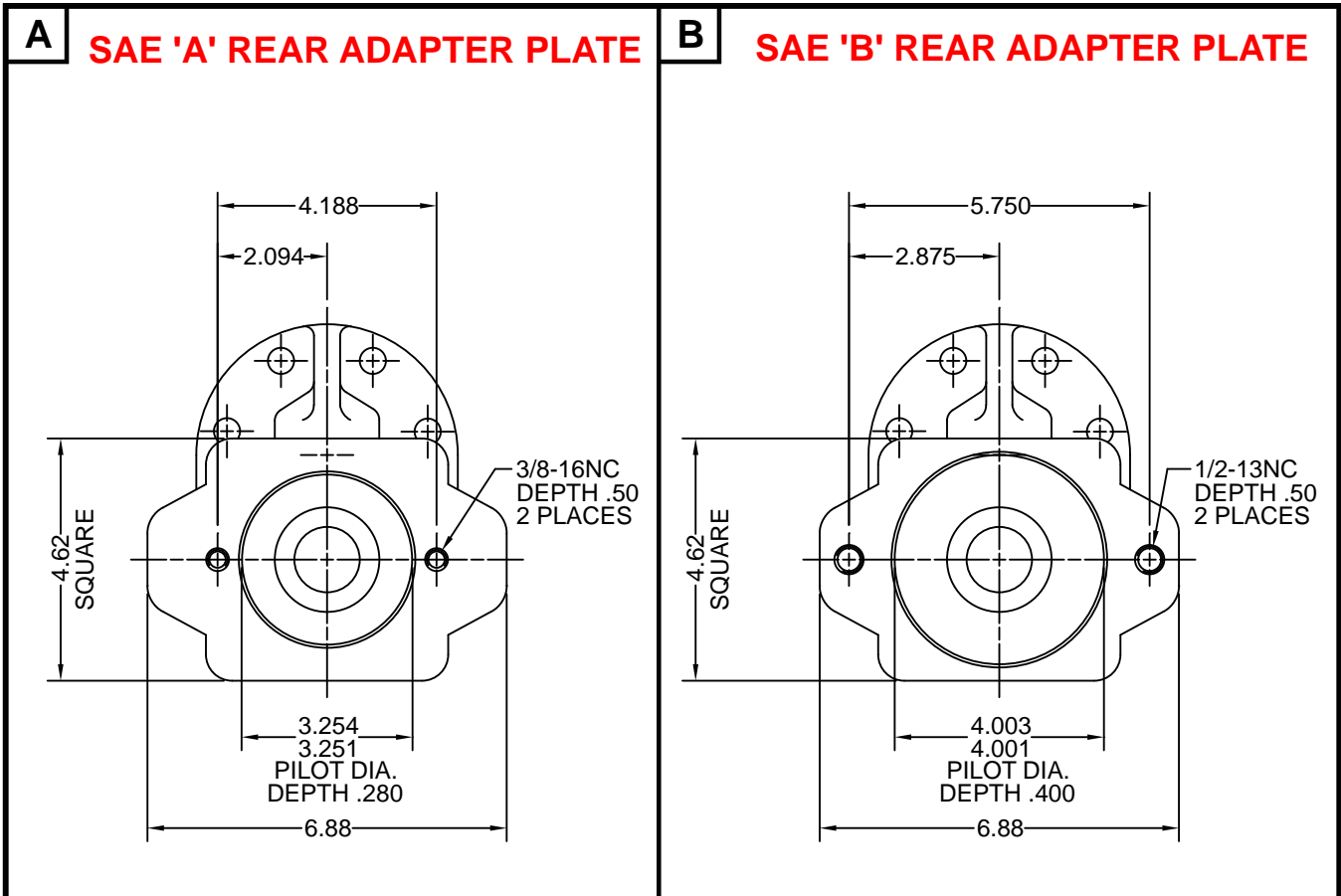
SAE 4-BOLT CONN. PORTS		
SIZE	INLET SIZE	OUTLET SIZE
DB15	1 1/4"	1"
DB20	1 1/4"	1"
DB25	1 1/2"	1 1/4"
DB30	1 1/2"	1 1/4"
DB35	1 1/2"	1 1/4"
DB40	2"	1 1/4"
DB45	2"	1 1/4"

4-BOLT CONNECTOR CHART					
SIZE	C	D	E	F	G
1"	.51	1.031	1.03	2.062	3/8-16NC
1 1/4"	.59	1.188	1.15	2.313	7/16-14NC
1 1/2"	.70	1.406	1.37	2.750	1/2-13NC
2"	.84	1.688	1.53	3.062	1/2-13NC

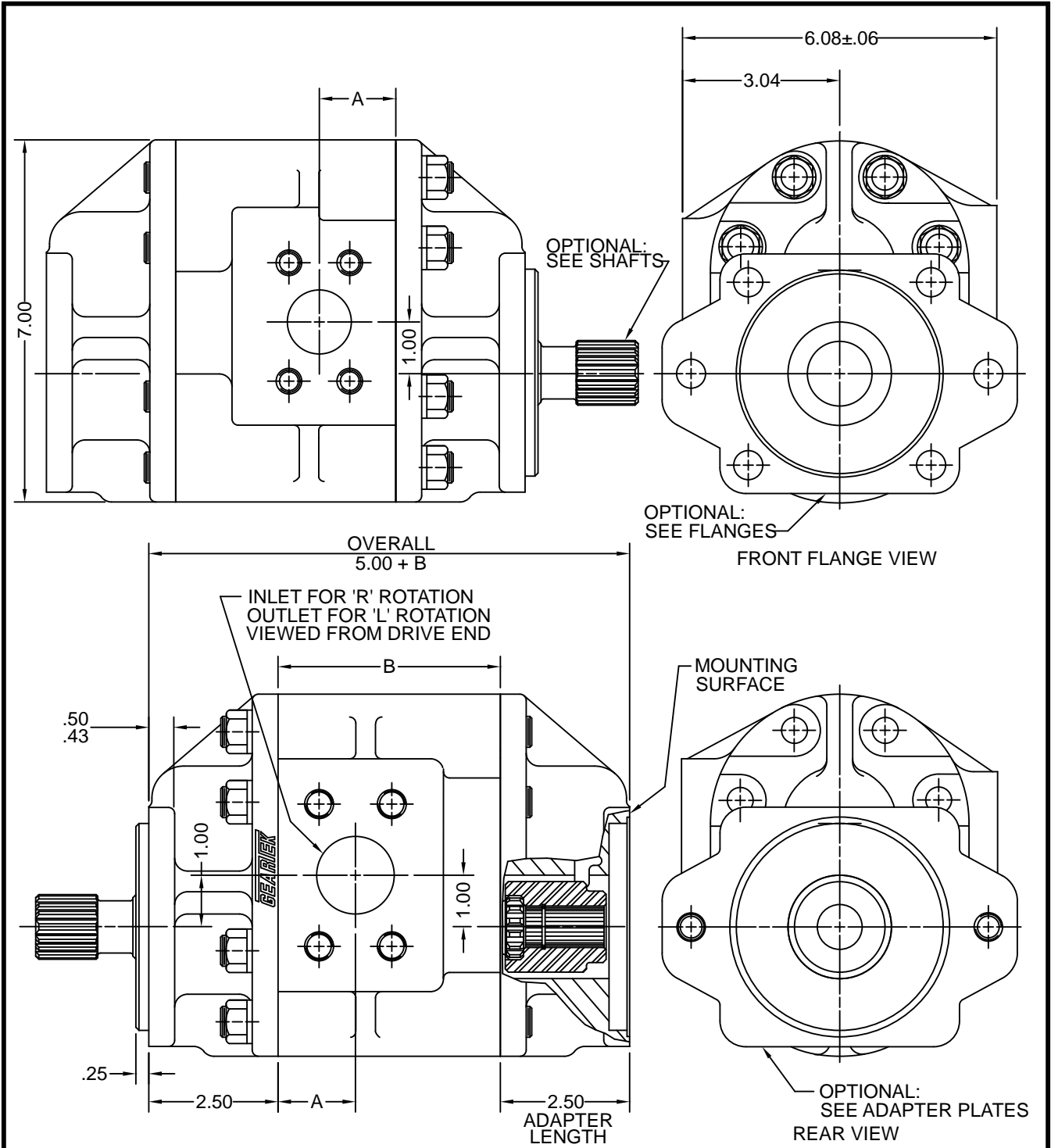
FLANGES AVAILABLE



REAR ADAPTERS AVAILABLE



DIMENSIONAL DATA



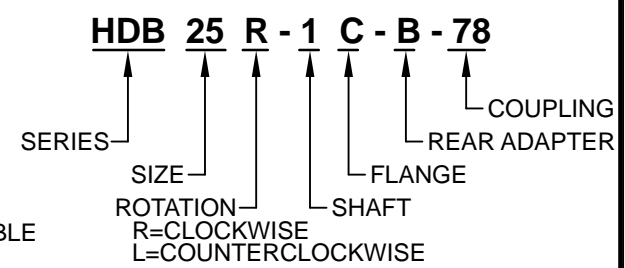
MOUNTING DIMENSIONS

SIZE	A	B
HDB15	1.25	3.02
HDB20	1.36	3.81
HDB25	1.50	4.09
HDB30	1.64	4.38
HDB35	1.85	4.66
HDB40	1.85	4.95
HDB45	2.16	5.23

FOR METRIC DIMENSIONS
MULTIPLY 25.4 X IN. = mm

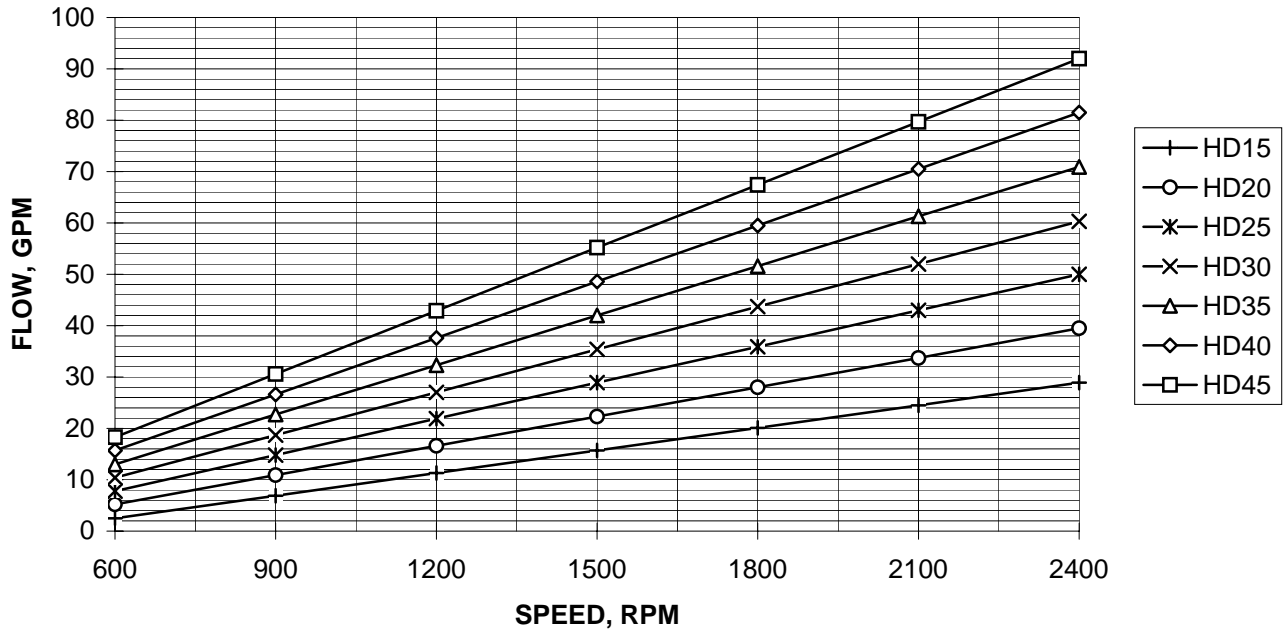
OTHER PORT TYPES AVAILABLE
CONSULT FACTORY

MODEL EXAMPLE

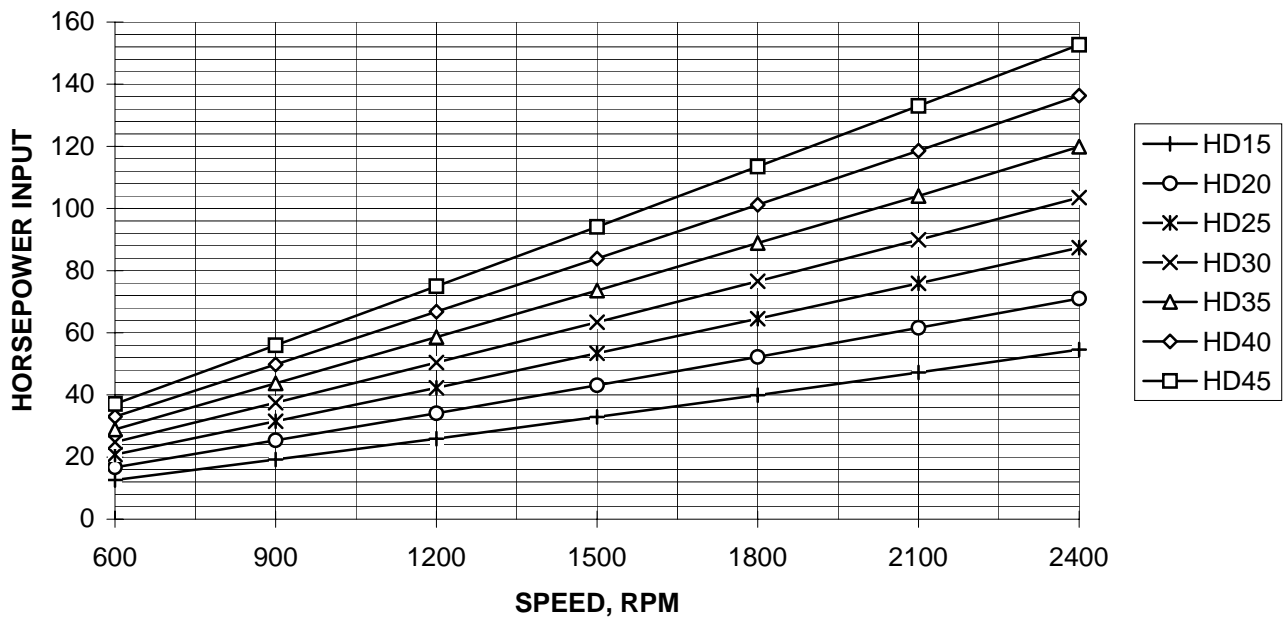


TYPICAL PERFORMANCE DATA
 SAE 10W oil @ 150 DEGREES FAHRENHEIT
 (150 SSU)

**HD SERIES PUMP FLOW OUTPUT @ 2500 PSI - SAE 10W OIL
 @ 150 DEGREES FAHRENHEIT**



'HD' SERIES PUMP HORSEPOWER IN @ 2500 PSI



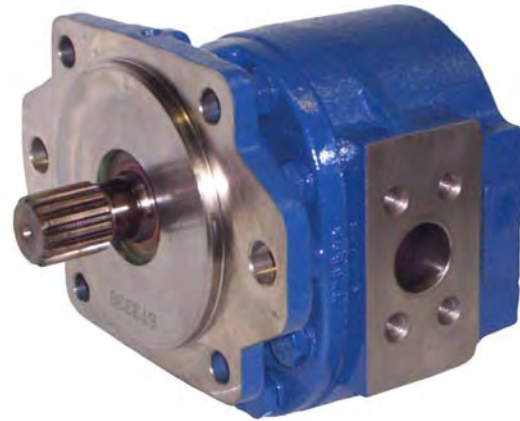


HYDRAULIC GEAR PUMPS AND MOTORS

'MD/RD' Series

SINGLE MOTOR

SINGLE REVERSIBLE PUMP



Performance Data

MODEL SIZE	DISPLACEMENT/REVOLUTION (THEORETICAL)				PUMPS	MOTORS			
	U.S. GALLONS	CUBIC INCHES	CUBIC CENT.	MAX. RPM		MAX. PRESSURE	IN-LB TORQUE @ 2500 PSI		HP @ 2500 RPM 2500 PSI
					PSI	START	RUN	PSI	
15	.0129	2.98	48.8	2500	2500	680	1050	38	2500
20	.0172	3.97	65.1	2500	2500	960	1430	50	2500
25	.0215	4.97	81.4	2500	2500	1240	1810	64	2500
30	.0258	5.96	97.6	2500	2500	1520	2181	74	2500
35	.0301	6.95	113.9	2500	2500	1800	2561	90	2500
40	.0344	7.95	130.2	2500	2500	2050	2940	105	2500
45	.0387	8.94	146.5	2500	2500	2350	3320	124	2500

* CONSULT FACTORY WITH TYPE APPLICATION
PRESSURES MAY BE LIMITED TO SHAFT TYPE

- CAST IRON THROUGHOUT
- PRESSURES TO 4000 PSI
- FLOWS TO 97 GPM
- HEAVY DUTY SLEEVE TYPE BEARINGS
- DOUBLE VITON® SHAFT SEALS STANDARD
- PRESSURE COMPENSATED THRUST PLATES
- DESIGNED FOR HEAVY DUTY APPLICATIONS
- SINGLE AND MULTI-STAGE CONFIGURATIONS
- VARIOUS SHAFT, FLANGE AND PORT OPTIONS
- PRECISION GEARS MACHINED FROM SOLID BAR STOCK
- COMPATIBLE WITH MOST FIRE RESISTANT FLUIDS
- CONTAMINANT RESISTANT
- COMPUTER DESIGNED AND MANUFACTURED
- QUALITY CERTIFIED
- FLEXIBLE DESIGN FOR NEW OR OEM REPLACEMENTS
- SERVICE SUPPORTED BY DEDICATION AND INVENTORY

P. O. BOX 2160, 1506 FULTON DR.
CORINTH, MISSISSIPPI 38835

Phone: 662/286-2252 Fax: 662/287-6580 E-mail: haisales@geartek.com Http: www.geartek.com

SHAFTS AVAILABLE

1

1 1/4"-14 TOOTH SPLINE
TORQUE LIMIT 650 FT/LBS

SPLINE DATA

DIAMETRAL PITCH	12/24
PRESSURE ANGLE	30°
NO. OF TEETH	14
MINOR DIA.	1.062-1.050

1.229 DIA.
1.223
1.30
1.04 DIA.
2.19
FLG. MTG. SURFACE

2

1" STRAIGHT
AVAILABLE ON 15 THRU 35 SIZES
TORQUE LIMIT 341 FT/LBS

1/4"x1/4"x1 1/2" KEY
2.25
.999 DIA.
2.56
FLG. MTG. SURFACE

3

1 1/4" STRAIGHT
TORQUE LIMIT 650 FT/LBS

5/16"x5/16"x1 1/2" KEY
1.250 DIA.
1.248
2.19
FLG. MTG. SURFACE

4

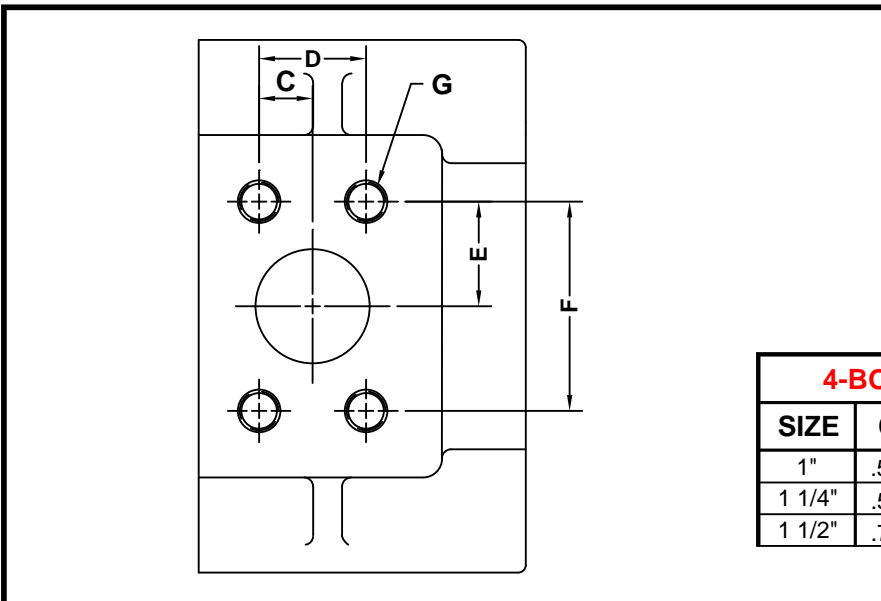
7/8"-13 TOOTH SPLINE
AVAILABLE ON 15 THRU 35 SIZES
TORQUE LIMIT 184 FT/LBS

SPLINE DATA

DIAMETRAL PITCH	16/32
PRESSURE ANGLE	30°
NO. OF TEETH	13
MINOR DIA.	.733-.722

.8585 DIA.
1.05 FULL SPLINE
1.62
FLG. MTG. SURFACE

STANDARD SAE 4-BOLT CONNECTOR PORTS



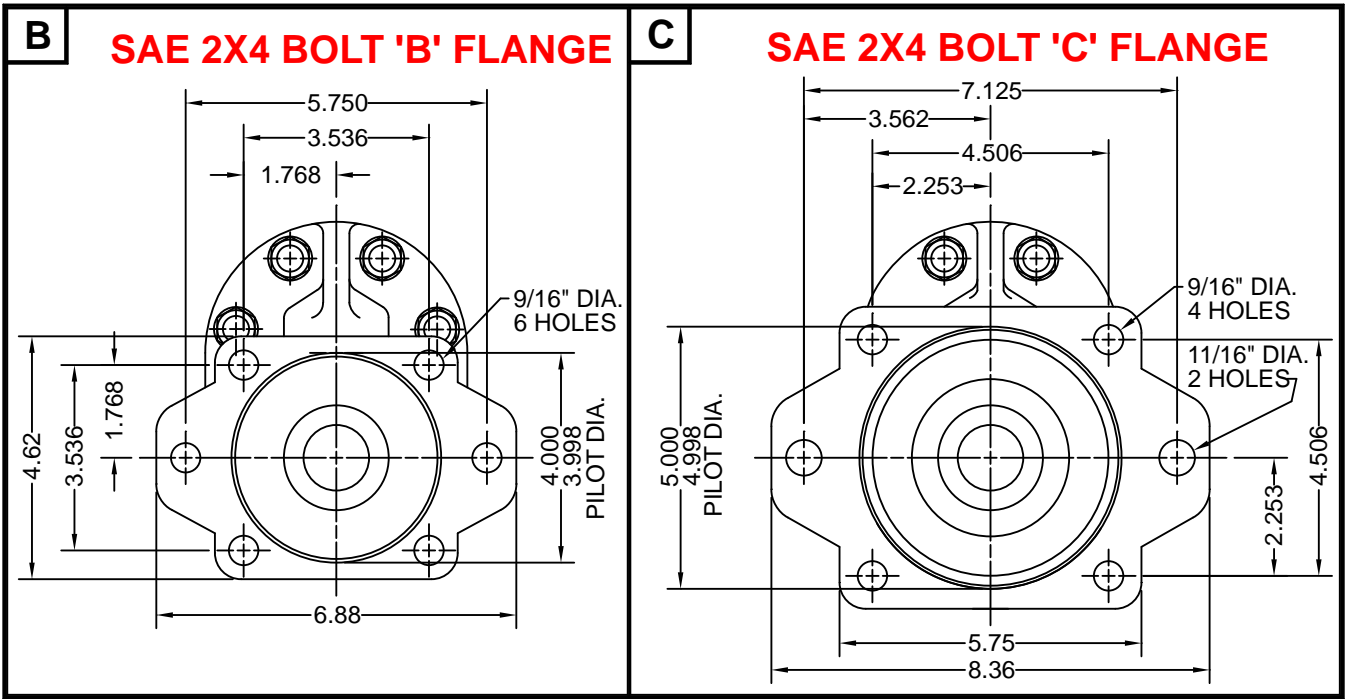
SAE 4-BOLT CONN. PORTS

SIZE	INLET SIZE	OUTLET SIZE
15	1"	1"
20	1"	1"
25	1 1/4"	1 1/4"
30	1 1/4"	1 1/4"
35	1 1/2"	1 1/2"
40	1 1/2"	1 1/2"
45	1 1/2"	1 1/2"

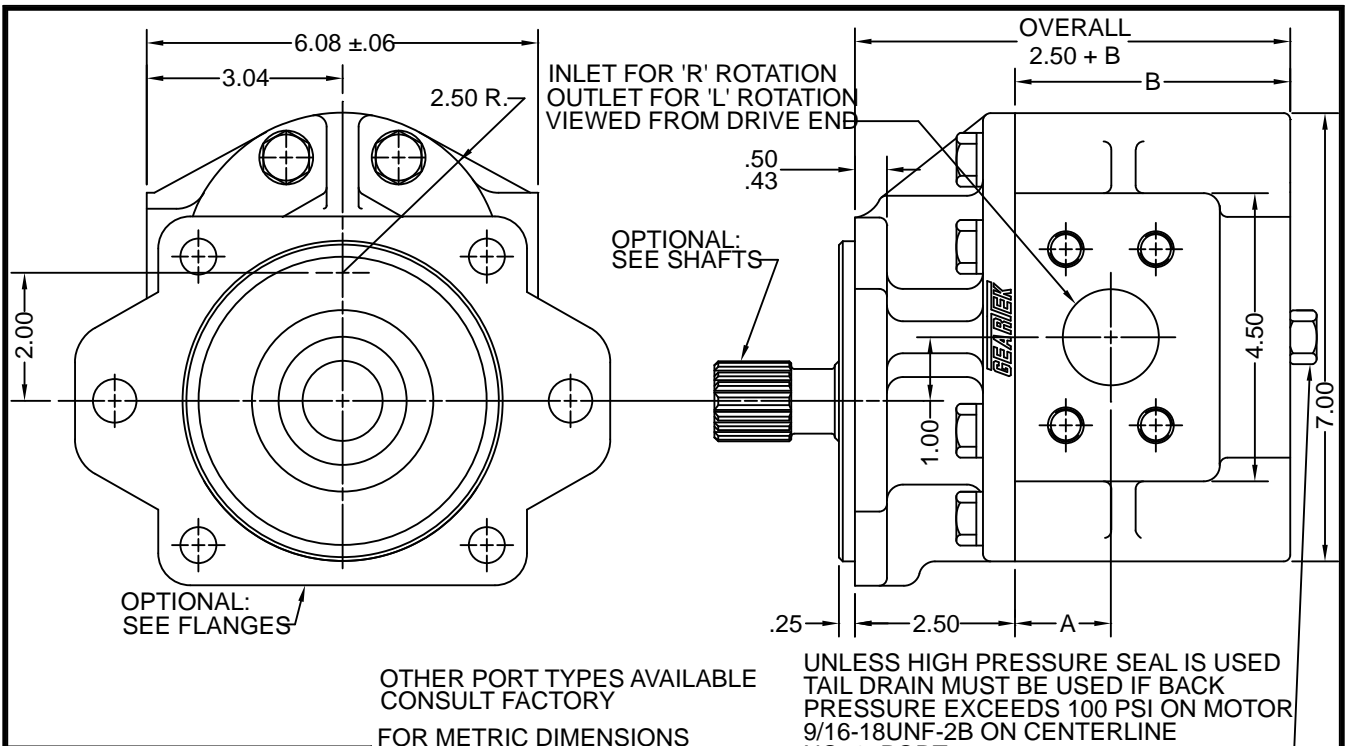
4-BOLT CONNECTOR CHART

SIZE	C	D	E	F	G
1"	.51	1.031	1.03	2.062	3/8-16NC
1 1/4"	.59	1.188	1.15	2.313	7/16-14NC
1 1/2"	.70	1.406	1.37	2.750	1/2-13NC

FLANGES AVAILABLE



DIMENSIONAL DATA



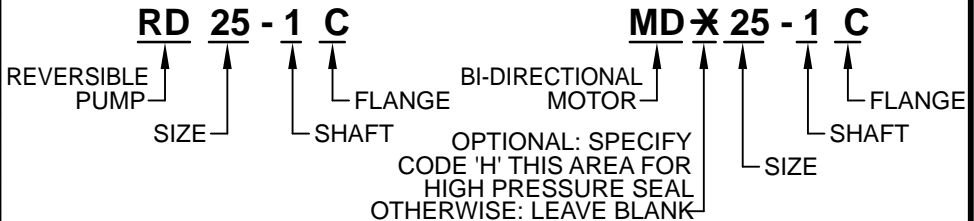
OTHER PORT TYPES AVAILABLE
CONSULT FACTORY

FOR METRIC DIMENSIONS
MULTIPLY 25.4 X IN. = mm

UNLESS HIGH PRESSURE SEAL IS USED
TAIL DRAIN MUST BE USED IF BACK
PRESSURE EXCEEDS 100 PSI ON MOTOR
9/16-18UNF-2B ON CENTERLINE
NO. 6 PORT
STEEL PLUG USED ON 'RD' PUMPS

MOUNTING DIMENSIONS		
SIZE	A	B
15	1.25	3.62
20	1.36	3.89
25	1.50	4.18
30	1.64	4.45
35	1.85	4.75
40	1.85	5.04
45	2.16	5.32

PUMP MODEL EXAMPLE MOTOR MODEL EXAMPLE

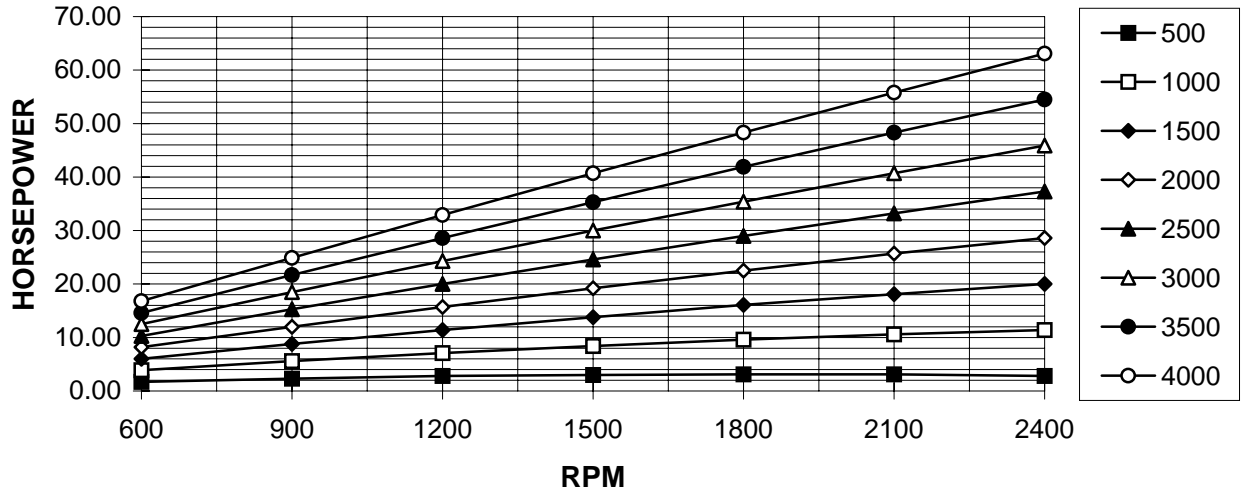


* THE OPTIONAL HIGH PRESSURE SEAL MAY BE USED WHEN DRAIN LINES ARE NOT PRACTICAL.
FOR SYSTEMS TOLERATING A DRAIN LINE, ELIMINATE THE 'H' FROM THE MODEL CODE.

GEARTEK MD15 MOTOR PERFORMANCE

SAE 10W oil @ 150 degrees F

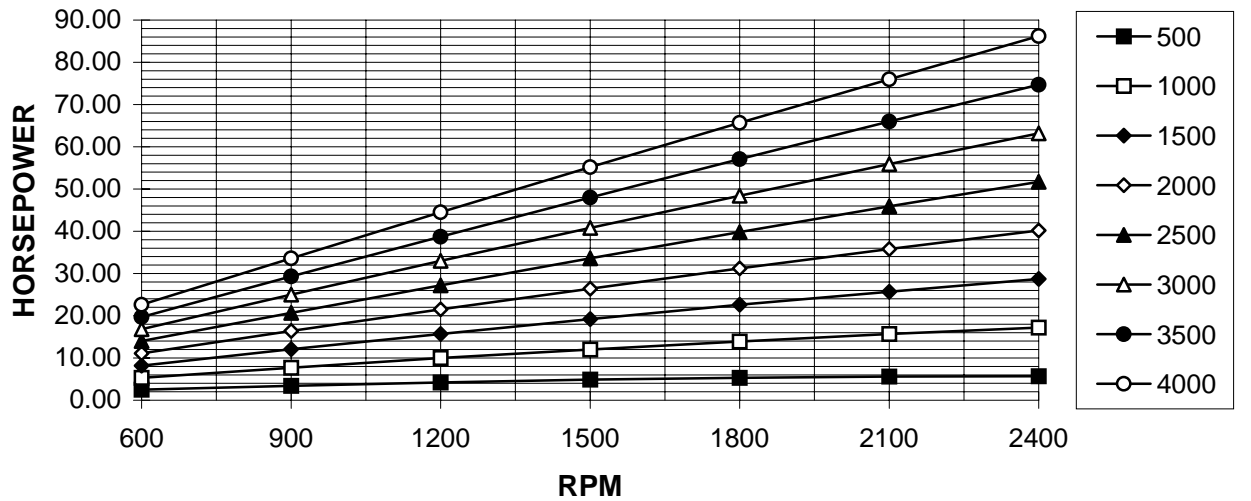
(Typical)



GEARTEK MD20 MOTOR PERFORMANCE

SAE 10W oil @ 150 degrees F

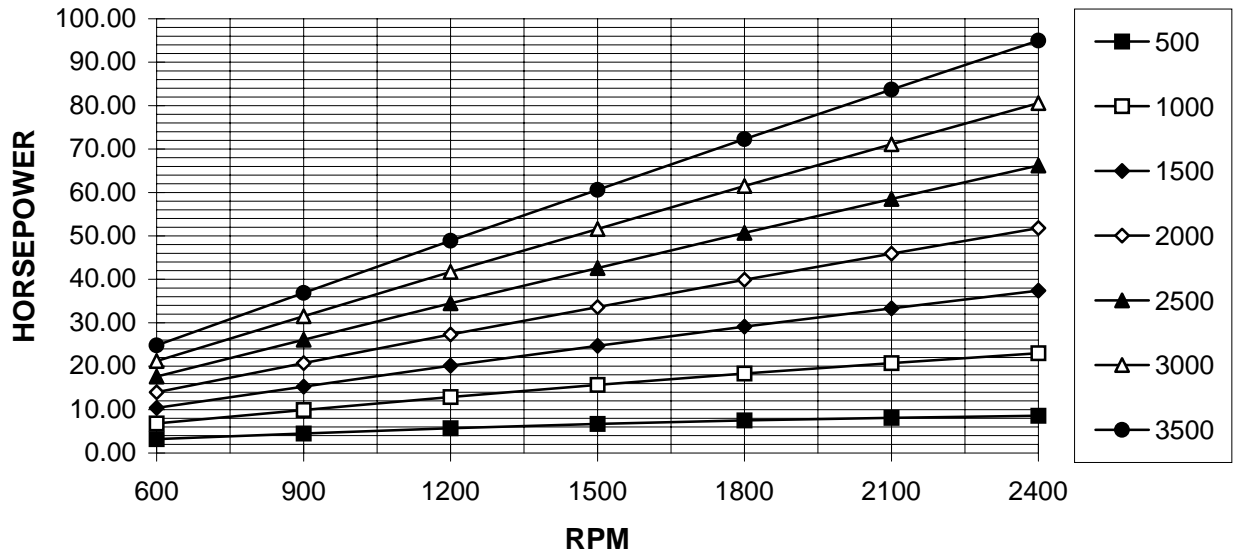
(Typical)



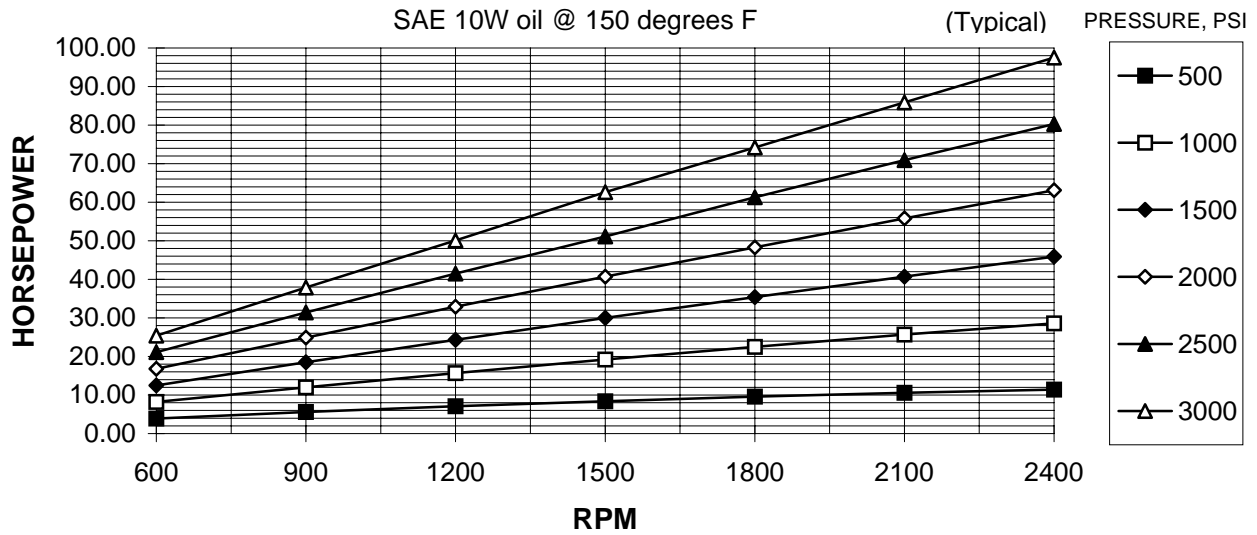
GEARTEK MD25 MOTOR PERFORMANCE

SAE 10W oil @ 150 degrees F

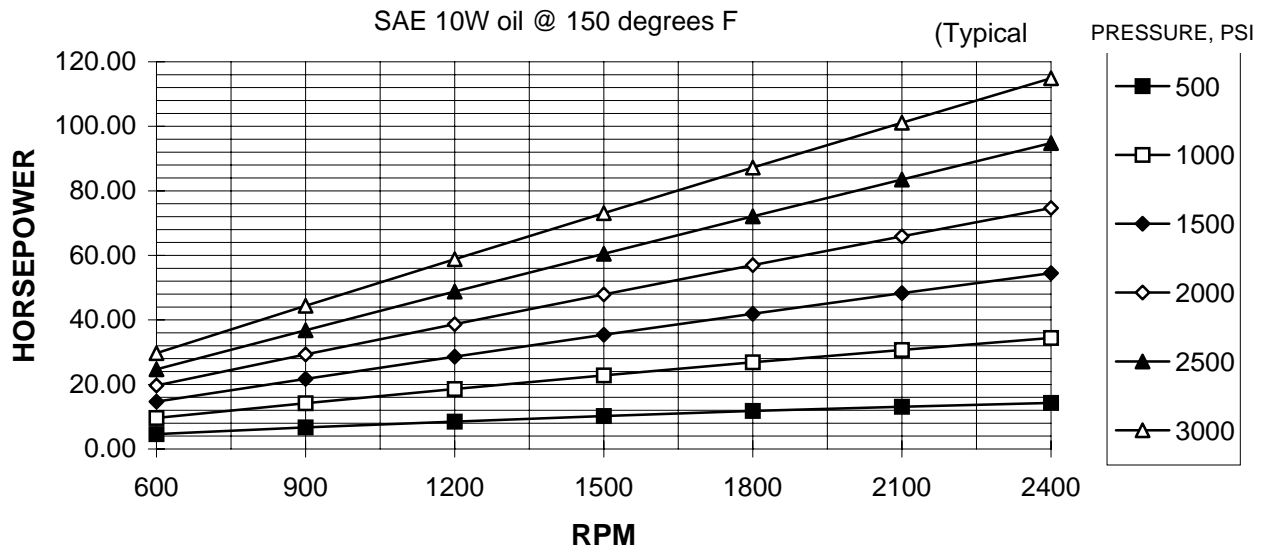
(Typical)



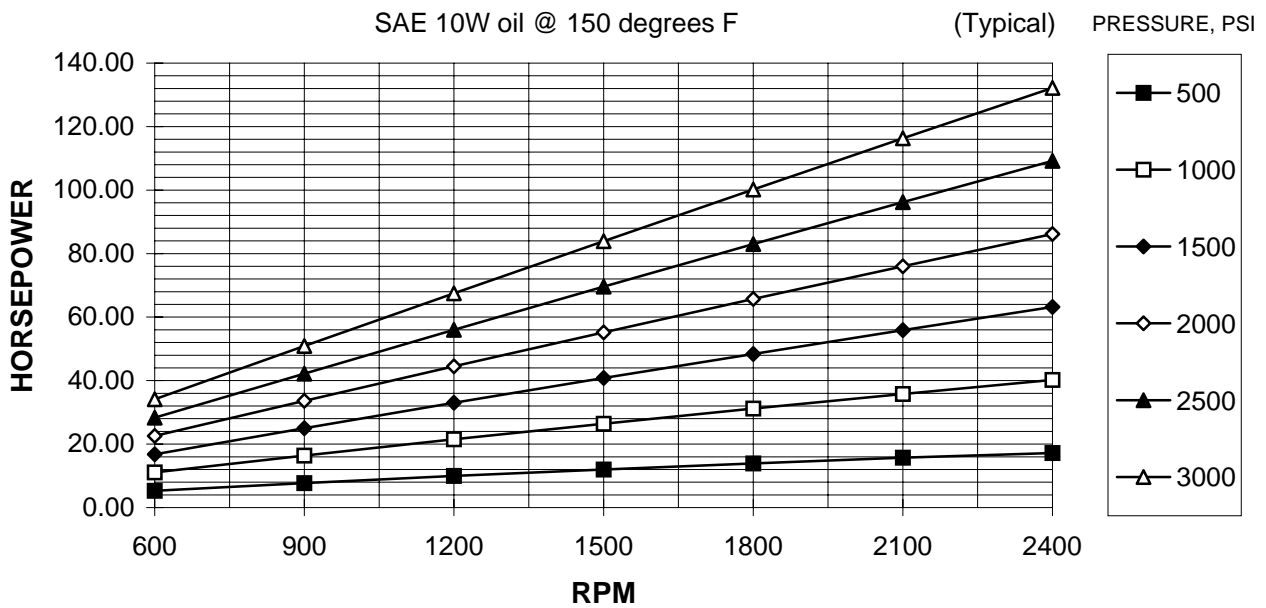
GEARTEK MD30 MOTOR PERFORMANCE



GEARTEK MD35 MOTOR PERFORMANCE



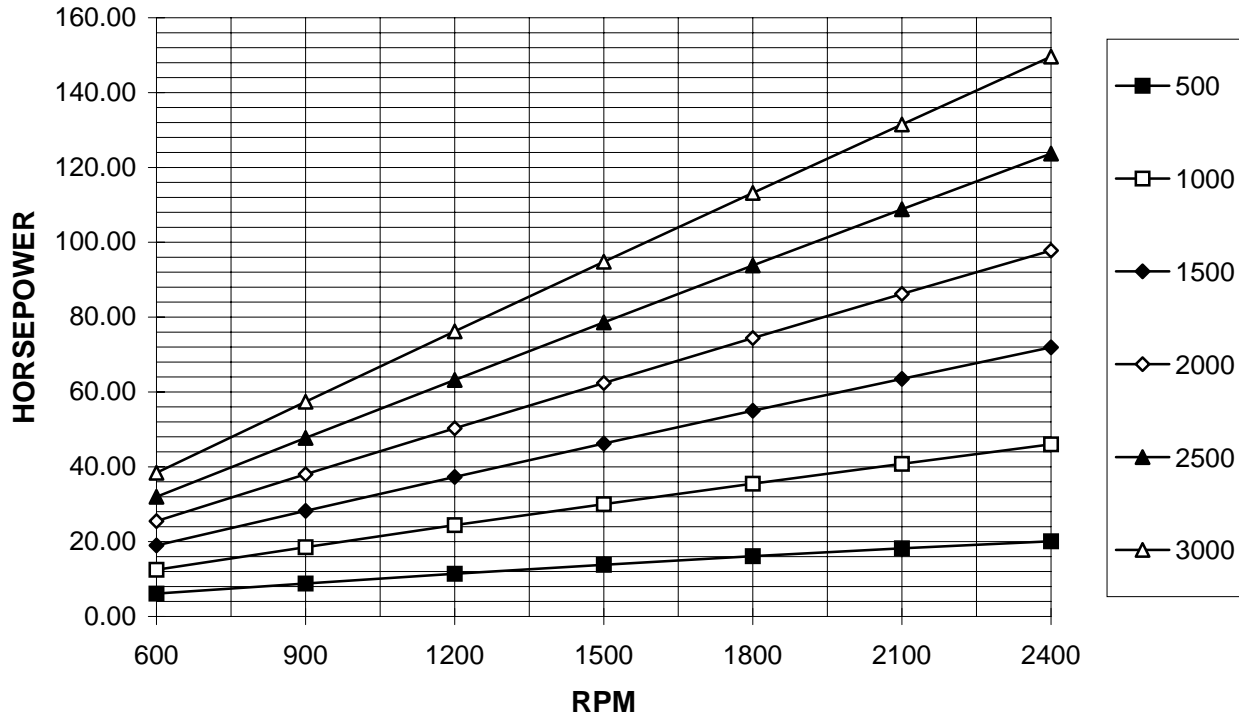
GEARTEK MD40 MOTOR PERFORMANCE



GEARTEK MD45 MOTOR PERFORMANCE

SAE 10W oil @ 150 degrees F

(Typical) PRESSURE, PSI



GEARTEK® FLUID POWER PUMPS AND MOTORS
DIVISION OF HYDRAULIC ANALYSIS, INC.



'SMD' Series

GEARTEK 'SMD' TWO SPEED MOTOR

Geartek two-speed motors consist of two hydraulic gear motor units with built in shift valving. Either, high speed or high torque can be obtained, thereby improving the efficiency of winch drives, track drives, hydrostatic transmissions and other drive applications.

The internal valving controls input flow through both gear sets for low speed-high torque mode, or controls the input flow through the front section only to provide high speed-low torque mode. Displacements of each section can be mixed relative to one another to give ideal application speed and torques between high and low modes.

Advantages of these units are:

Optional automatic kick-down valve, adjustable 400-3000 psi. Unit stays in high-speed mode until preset pressure is reached. After shifting into low-speed mode, the unit shifts automatically back to high-speed mode when input flow is stopped.

Optional extreme high pressure seal, which eliminates required case drain line. (Model becomes SMDH)

Compact envelope size, designed for limited space requirements

Standard shift by remote hydraulic pilot line to tank pressure. No external pressure required. Merely opening or closing pilot port to tank shifts motor.

TWO SPEED MOTOR

COMPACT SIZE

AUTOMATIC DOWNSHIFT OPTION

HYDRAULIC SHIFT ON THE GO



Performance Data

MODEL SIZE	DISPLACEMENT/REVOLUTION (THEORETICAL)				MOTORS			
	U.S. GALLONS	CUBIC INCHES	CUBIC CENT.	MAX. * RPM	IN-LB TORQUE @ 2500 PSI		HP @ 2500 RPM 2500 PSI	MAX. PRESSURE PSI
					START	RUN		
SMD15	.0129	2.98	48.8	2500	680	1050	38	3300
SMD20	.0172	3.97	65.1	2500	960	1430	50	3300
SMD25	.0215	4.97	81.4	2500	1240	1810	64	3300
SMD30	.0258	5.96	97.6	2500	1520	2181	74	3100
SMD35	.0301	6.95	113.9	2500	1800	2561	90	3000
SMD40	.0344	7.95	130.2	2500	2050	2940	105	3000
SMD45	.0387	8.94	146.5	2500	2350	3320	124	2700

* CONSULT FACTORY WITH TYPE APPLICATION

- CAST IRON
- PRESSURES TO 3300 PSI
- FLOWS TO 97 GPM
- HEAVY DUTY SLEEVE TYPE BEARINGS
- HIGH PRESSURE VITON® SHAFT SEALS
- PRESSURE COMPENSATED THRUST PLATES
- DESIGNED FOR HEAVY DUTY APPLICATIONS
- VARIOUS SHAFT, FLANGE AND PORT OPTIONS
- PRECISION GEARS MACHINED FROM SOLID BAR STOCK
- COMPATIBLE WITH MOST FIRE RESISTANT FLUIDS
- CONTAMINANT RESISTANT
- COMPUTER DESIGNED AND MANUFACTURED
- FLEXIBLE DESIGN FOR NEW OR OEM REPLACEMENTS
- SERVICE SUPPORTED BY DEDICATION AND INVENTORY

P. O. BOX 2160, 1506 FULTON DR.
CORINTH, MISSISSIPPI 38835

Phone: 662/286-2252 Fax: 662/287-6580 E-mail: haisales@geartek.com Http: www.geartek.com

SHAFTS AVAILABLE

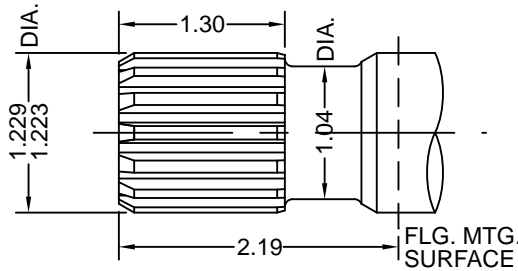
1

1 1/4"-14 TOOTH SPLINE

TORQUE LIMIT 650 FT/LBS

SPLINE DATA

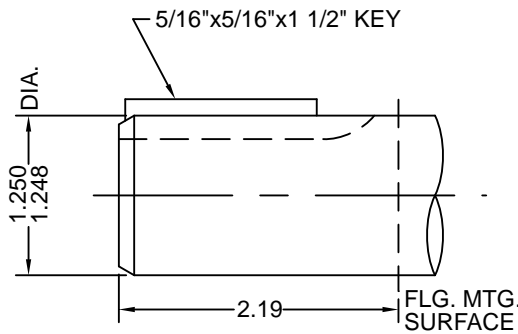
DIAMETRAL PITCH	12/24
PRESSURE ANGLE	30°
NO. OF TEETH	14
MINOR DIA.	1.062-1.050



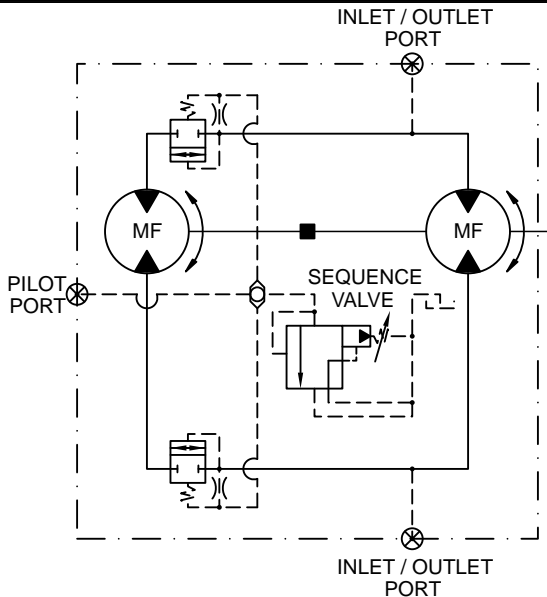
3

1 1/4" STRAIGHT

TORQUE LIMIT 650 FT/LBS

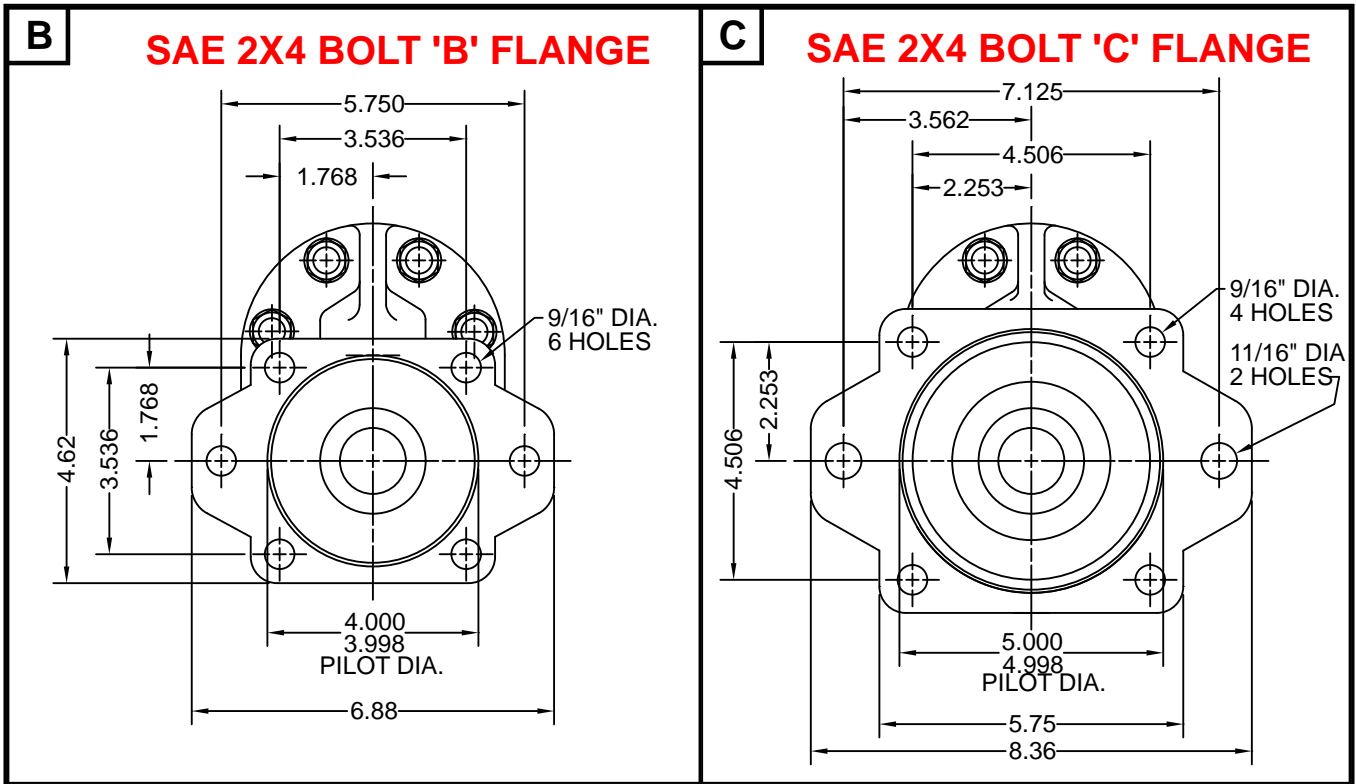


SCHEMATIC

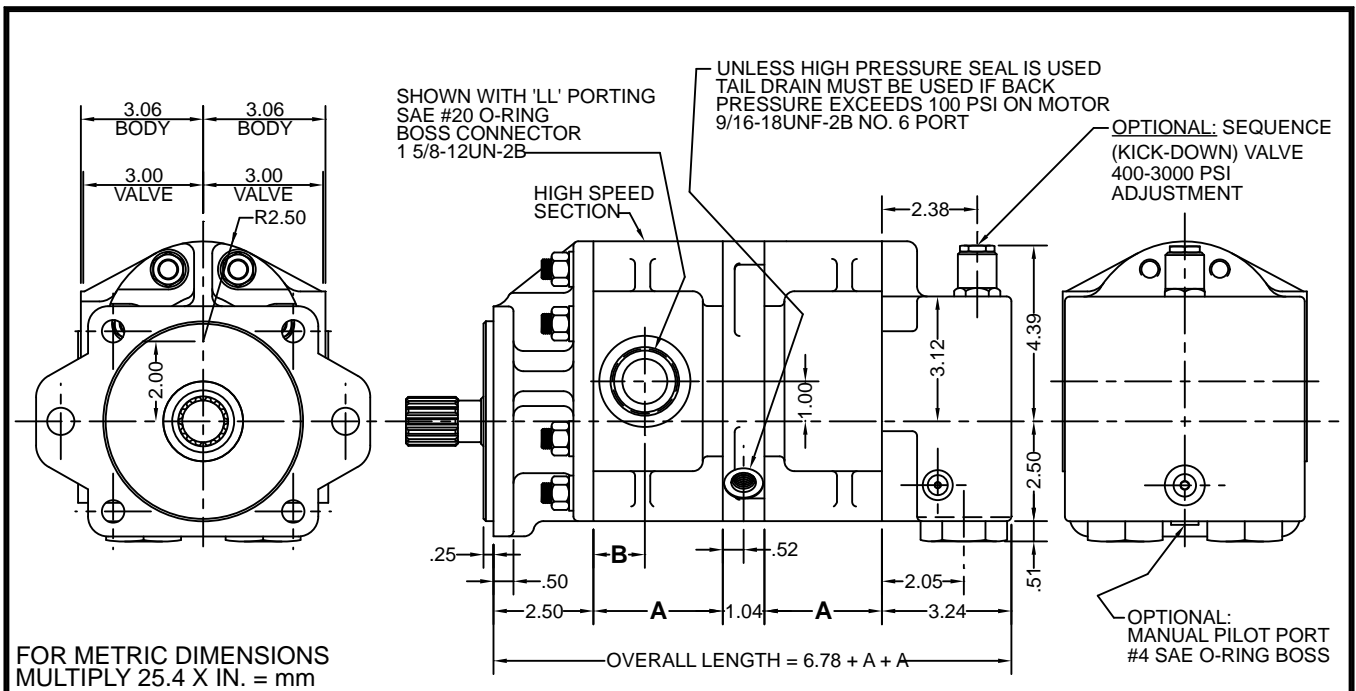


SCHEMATIC SHOWN WITH
SEQUENCE VALVE

FLANGES AVAILABLE



DIMENSIONAL DATA



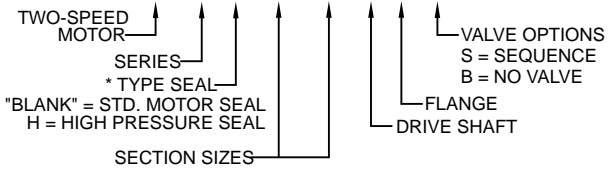
FOR METRIC DIMENSIONS
MULTIPLY 25.4 X IN. = mm

MOUNTING DIMENSIONS		
SIZE	A	B
SMD15	3.02	1.25
SMD20	3.31	1.36
SMD25	3.59	1.50
SMD30	3.87	1.64
SMD35	4.16	1.85
SMD40	4.49	1.85
SMD45	4.73	2.16

BI-ROTATIONAL
OTHER PORT TYPES AVAILABLE
CONSULT FACTORY

MODEL EXAMPLE

SM D H 25-25-1 C-S-TT

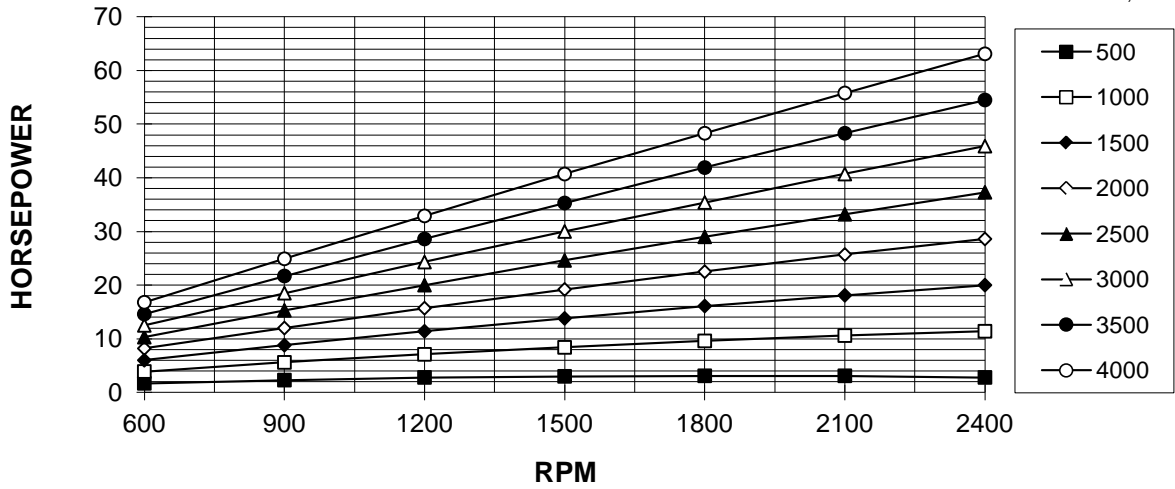


* THE OPTIONAL HIGH PRESSURE SEAL MAY BE USED WHEN DRAIN LINES ARE NOT PRACTICAL. FOR SYSTEMS TOLERATING A DRAIN LINE, ELIMINATE THE 'H' FROM THE MODEL CODE.

GEARTEK SMD15 MOTOR PERFORMANCE

SAE 10W oil @ 150 degrees F

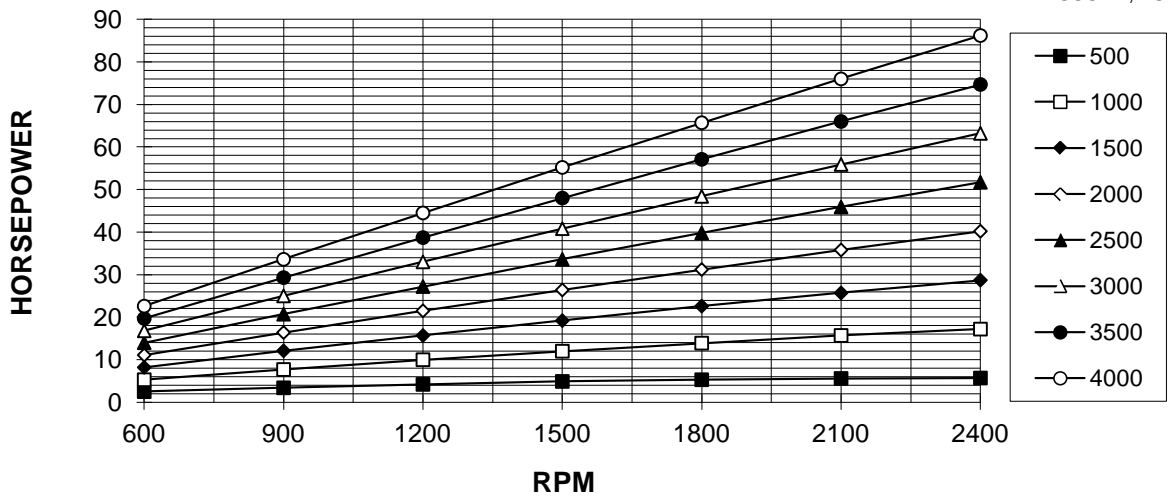
(Typical)



GEARTEK SMD20 MOTOR PERFORMANCE

SAE 10W oil @ 150 degrees F

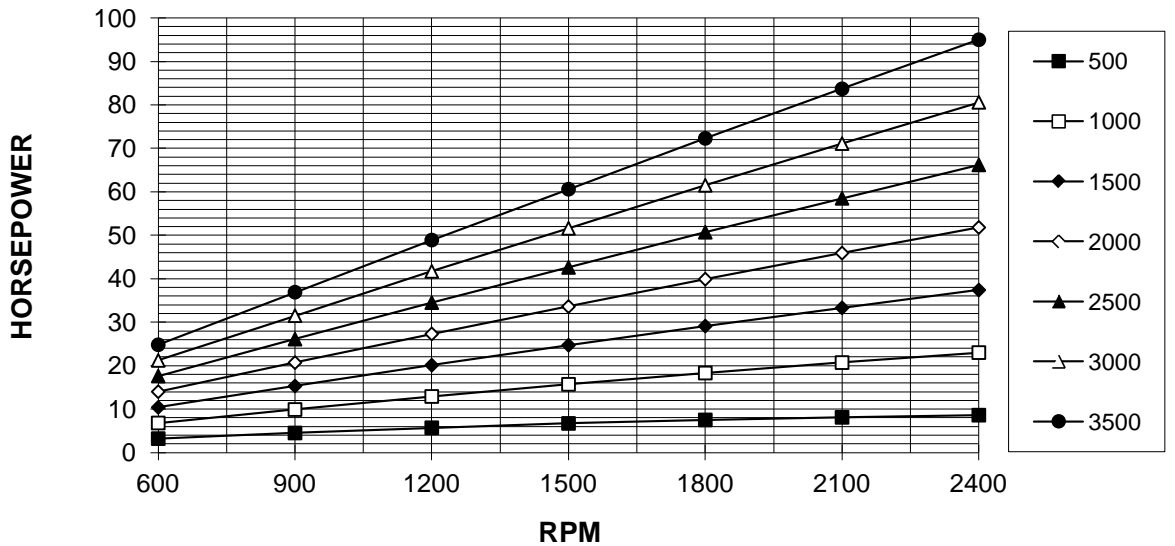
(Typical)



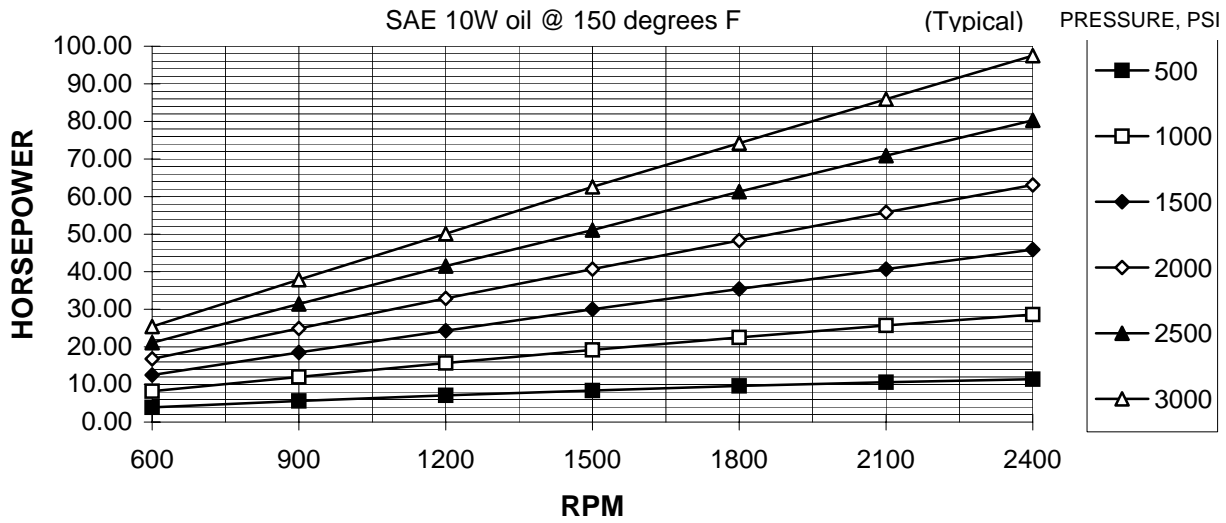
GEARTEK SMD25 MOTOR PERFORMANCE

SAE 10W oil @ 150 degrees F

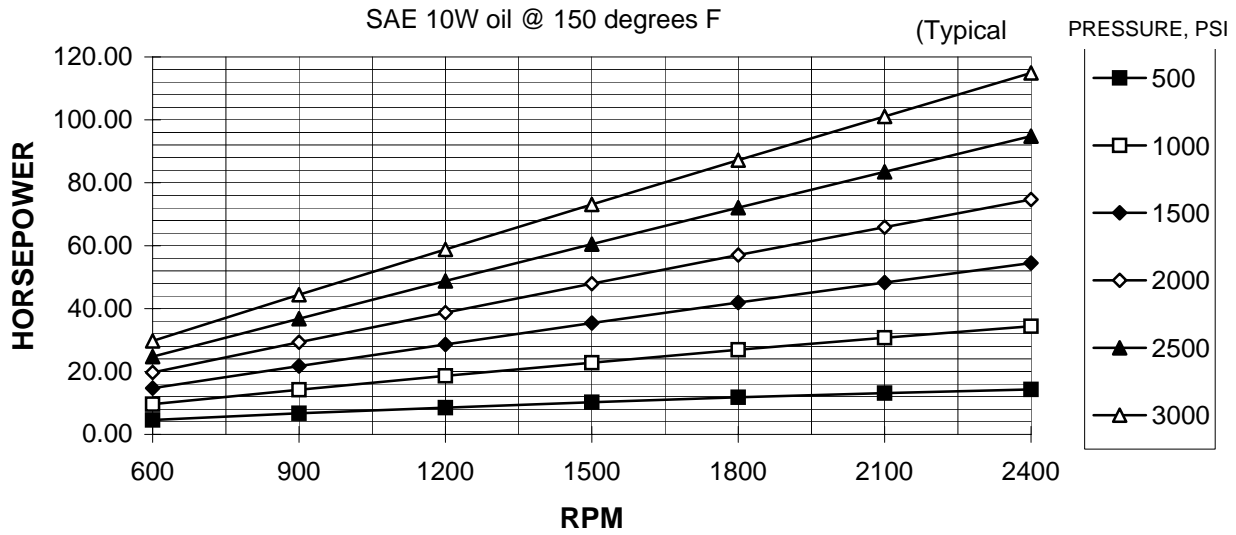
(Typical)



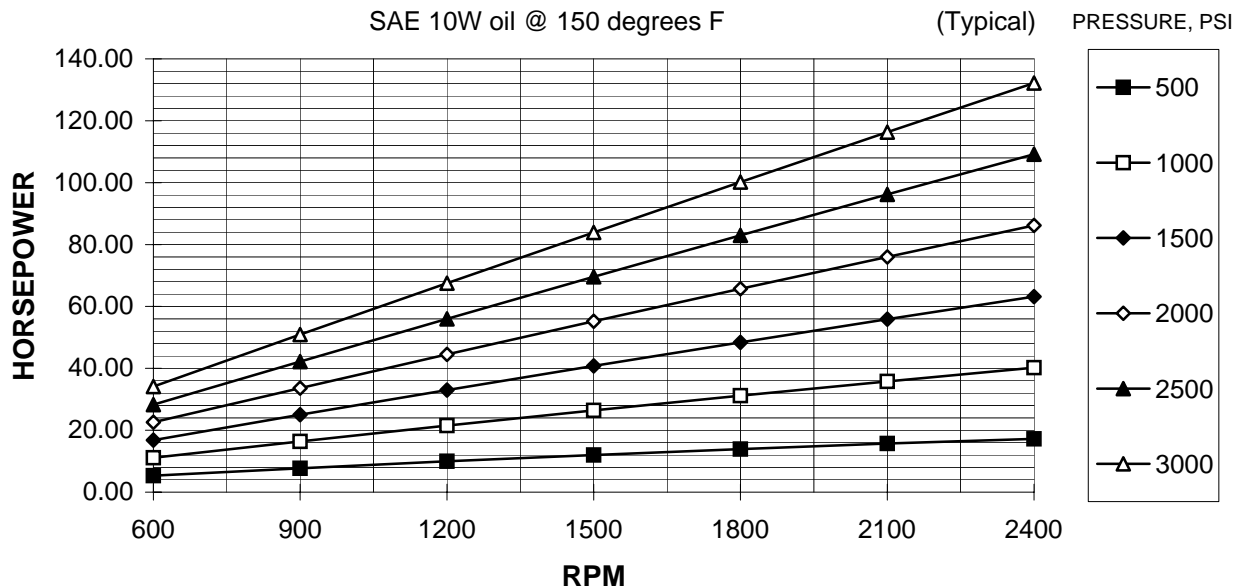
GEARTEK SMD30 MOTOR PERFORMANCE



GEARTEK SMD35 MOTOR PERFORMANCE



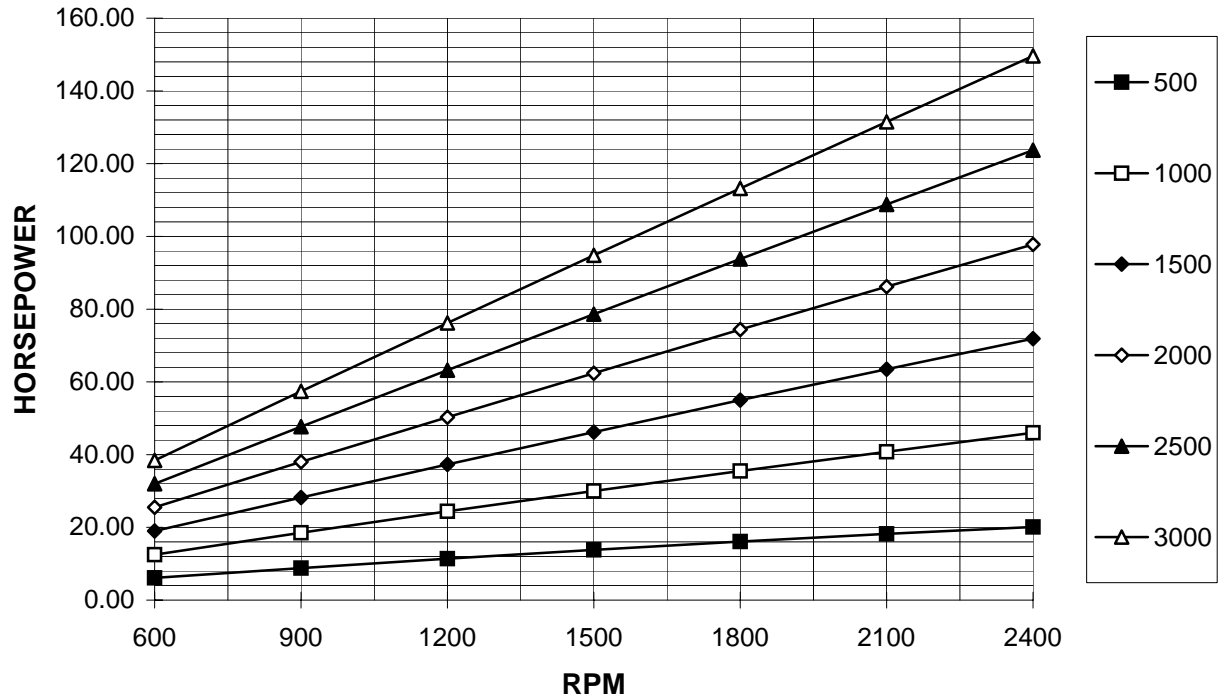
GEARTEK SMD40 MOTOR PERFORMANCE



GEARTEK SMD45 MOTOR PERFORMANCE

SAE 10W oil @ 150 degrees F

(Typical) PRESSURE, PSI



GEARTEK® FLUID POWER PUMPS AND MOTORS
DIVISION OF HYDRAULIC ANALYSIS, INC.



HYDRAULIC GEAR PUMPS AND MOTORS

'SLD' & 'SED' Series

UNLOADING VALVES

The 'SLD' & 'SED' Series limits the hydraulic horsepower which in turn limits the horsepower required from the prime mover.

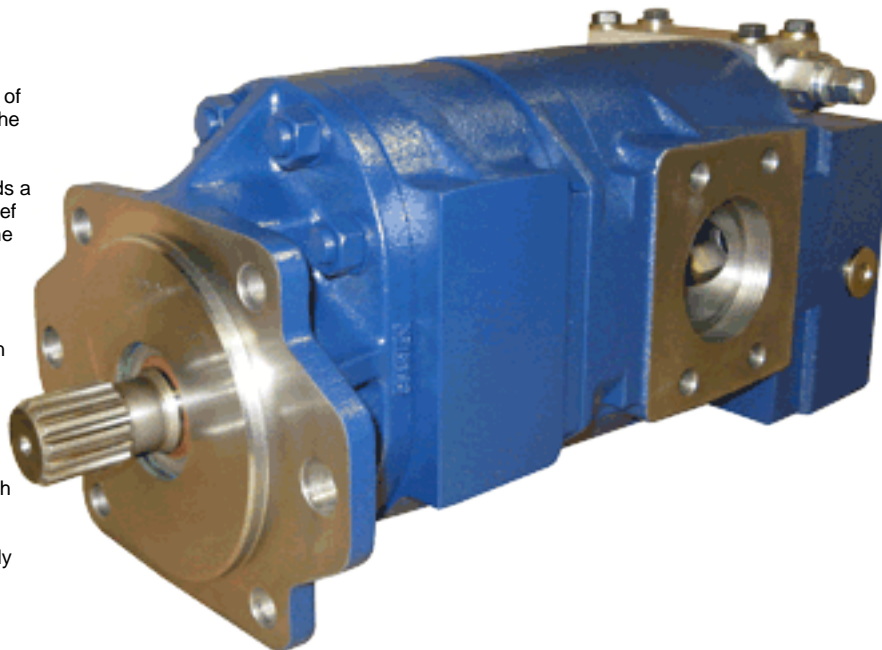
Both units can supply flow from either both sections of the tandem pump, or from only the front section of the unit.

With the 'SLD', when the operating pressure exceeds a predetermined setting, an integral pilot operated relief valve opens which moves the spool and redirects the rear section flow from the common discharge to the common suction.

Once the system pressure is reduced to the same predetermined setting, the flow from the rear section reverts back to the common discharge.

The 'SED' model allows flow through both sections until an external 12V or 24V DC electrical signal actuates a solenoid valve to divert flow in the rear section similar to the 'SLD'. The pump resets to both sections when the electrical signal is turned off.

Both models can be manually unloaded independently of the pilot valve or solenoid.



Performance Data

MODEL SIZE	DISPLACEMENT/REVOLUTION (THEORETICAL)			PRESSURE RATINGS				MAXIMUM SPEED (RPM)
	U.S. GALLONS	CUBIC INCHES	CUBIC CENT.	NORMAL DUTY		SEVERE DUTY		
				PSI	BAR	PSI	BAR	
D15	.0129	2.98	48.8	4000	276	3800	262	2500
D20	.0172	3.97	65.1	3800	262	3000	207	2500
D25	.0215	4.97	81.4	3000	207	2300	159	2500
D30	.0258	5.96	97.6	2500	172	2000	138	2400
D35	.0301	6.95	113.9	2500*	172	2000*	138	2300
D40	.0344	7.95	130.2	2500*	172	2000*	138	2000
D45	.0387	8.94	146.5	2500*	172	2000*	138	1800

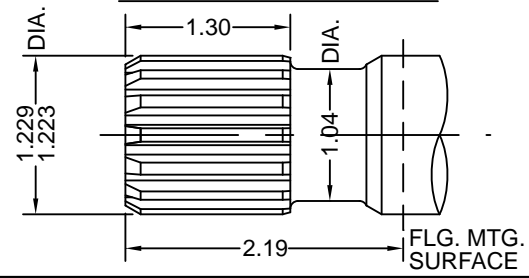
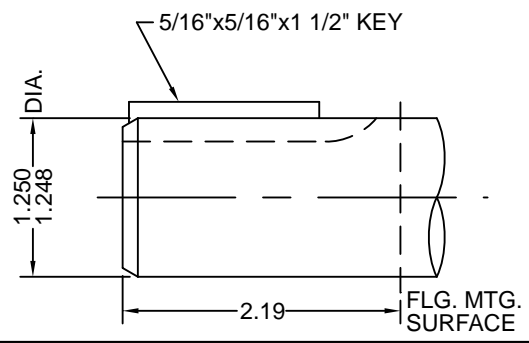
* CONSULT FACTORY WITH TYPE APPLICATION PRESSURES MAY BE LIMITED TO SHAFT TYPE

- CAST IRON THROUGHOUT
- PRESSURES TO 4000 PSI
- FLOWS TO 140 GPM
- HEAVY DUTY SLEEVE TYPE BEARINGS
- HIGH PRESSURE VITON® SHAFT SEALS
- PRESSURE COMPENSATED THRUST PLATES
- DESIGNED FOR HEAVY DUTY APPLICATIONS
- VARIOUS SHAFT, FLANGE AND PORT OPTIONS
- PRECISION GEARS MACHINED FROM SOLID BAR STOCK
- COMPATIBLE WITH MOST FIRE RESISTANT FLUIDS
- CONTAMINANT RESISTANT
- COMPUTER DESIGNED AND MANUFACTURED
- FLEXIBLE DESIGN FOR NEW OR OEM REPLACEMENTS
- SERVICE SUPPORTED BY DEDICATION AND INVENTORY

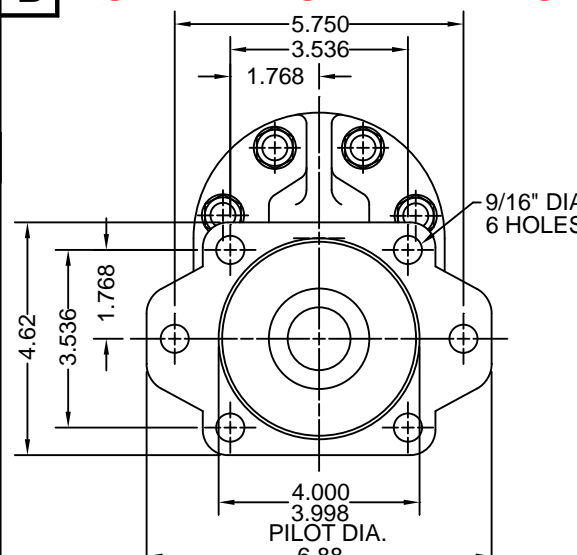
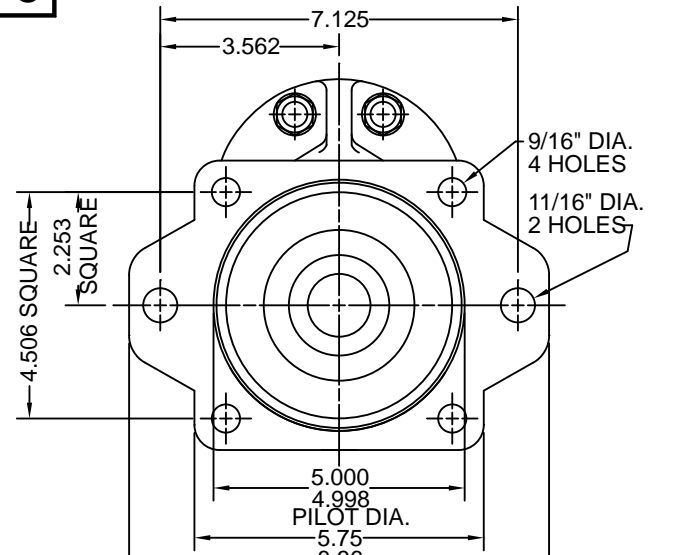
P. O. BOX 2160, 1506 FULTON DR.
CORINTH, MISSISSIPPI 38835

Phone: 662/286-2252 Fax: 662/287-6580 E-mail: haisales@geartek.com Http: www.geartek.com

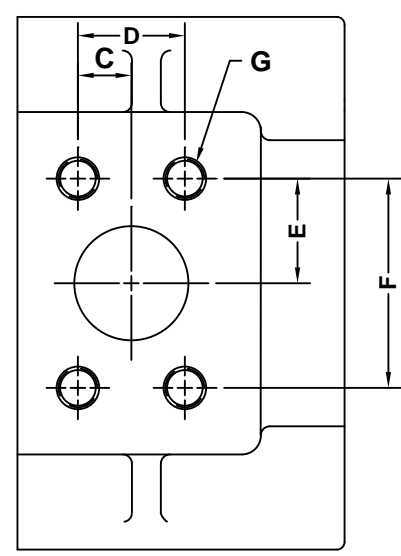
SHAFTS AVAILABLE

<p>1 1 1/4"-14 TOOTH SPLINE TORQUE LIMIT 650 FT/LBS SPLINE DATA</p> <table border="1" style="width: 100%; border-collapse: collapse;"> <tr><td>DIAMETRAL PITCH</td><td>12/24</td></tr> <tr><td>PRESSURE ANGLE</td><td>30°</td></tr> <tr><td>NO. OF TEETH</td><td>14</td></tr> <tr><td>MINOR DIA.</td><td>1.062-1.050</td></tr> </table>  <p style="text-align: right;">FLG. MTG. SURFACE</p>	DIAMETRAL PITCH	12/24	PRESSURE ANGLE	30°	NO. OF TEETH	14	MINOR DIA.	1.062-1.050	<p>3 1 1/4" STRAIGHT TORQUE LIMIT 650 FT/LBS</p>  <p style="text-align: right;">FLG. MTG. SURFACE</p>
DIAMETRAL PITCH	12/24								
PRESSURE ANGLE	30°								
NO. OF TEETH	14								
MINOR DIA.	1.062-1.050								

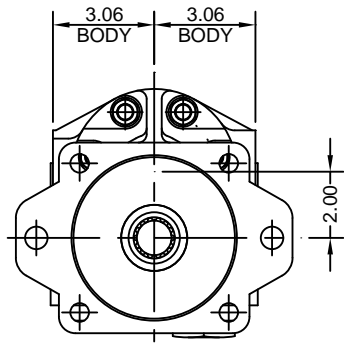
FLANGES AVAILABLE

<p>B SAE 2X4 BOLT 'B' FLANGE</p>  <p style="text-align: right;">9/16" DIA. 6 HOLES</p>	<p>C SAE 2X4 BOLT 'C' FLANGE</p>  <p style="text-align: right;">9/16" DIA. 4 HOLES 11/16" DIA. 2 HOLES</p>
---	--

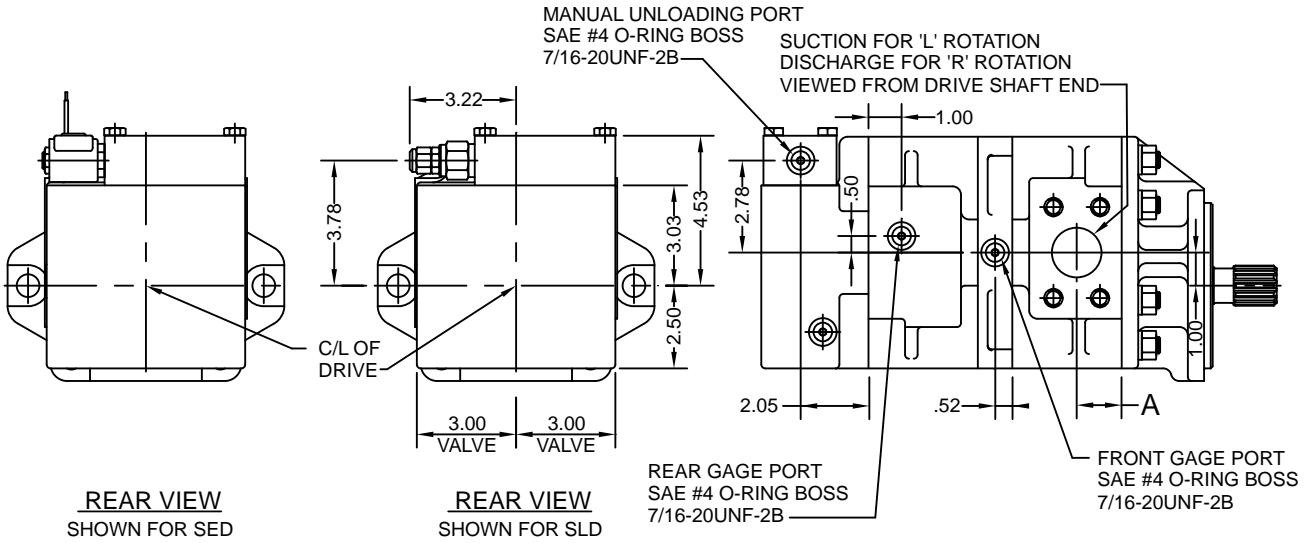
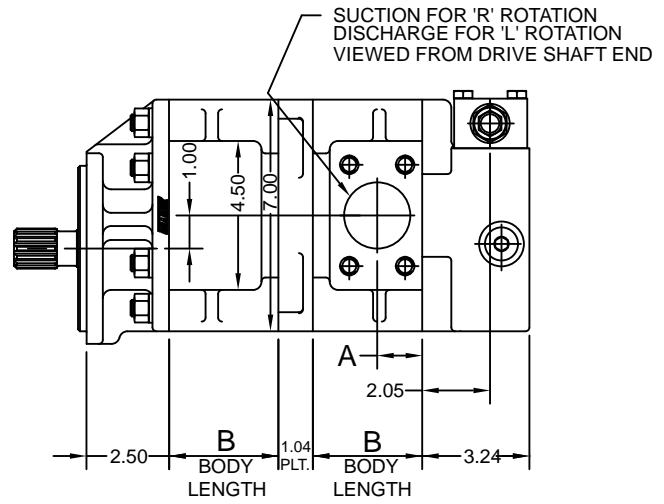
STANDARD SAE 4-BOLT CONNECTOR PORTS

	<p style="text-align: center;">SAE 4-BOLT CONN. PORTS</p> <table border="1" style="width: 100%; border-collapse: collapse;"> <thead> <tr> <th>SIZE</th> <th>INLET SIZE REAR SECTION</th> <th>OUTLET SIZE FRONT SECTION</th> </tr> </thead> <tbody> <tr><td>D15</td><td>1 1/2"</td><td>1 1/4"</td></tr> <tr><td>D20</td><td>2"</td><td>1 1/2"</td></tr> <tr><td>D25</td><td>2"</td><td>1 1/2"</td></tr> <tr><td>D30</td><td>2"</td><td>1 1/2"</td></tr> <tr><td>D35</td><td>2 1/2"</td><td>1 1/2"</td></tr> <tr><td>D40</td><td>2 1/2"</td><td>1 1/2"</td></tr> <tr><td>D45</td><td>2 1/2"</td><td>1 1/2"</td></tr> </tbody> </table>	SIZE	INLET SIZE REAR SECTION	OUTLET SIZE FRONT SECTION	D15	1 1/2"	1 1/4"	D20	2"	1 1/2"	D25	2"	1 1/2"	D30	2"	1 1/2"	D35	2 1/2"	1 1/2"	D40	2 1/2"	1 1/2"	D45	2 1/2"	1 1/2"						
SIZE	INLET SIZE REAR SECTION	OUTLET SIZE FRONT SECTION																													
D15	1 1/2"	1 1/4"																													
D20	2"	1 1/2"																													
D25	2"	1 1/2"																													
D30	2"	1 1/2"																													
D35	2 1/2"	1 1/2"																													
D40	2 1/2"	1 1/2"																													
D45	2 1/2"	1 1/2"																													
<p>4-BOLT CONNECTOR CHART</p> <table border="1" style="width: 100%; border-collapse: collapse;"> <thead> <tr> <th>SIZE</th> <th>C</th> <th>D</th> <th>E</th> <th>F</th> <th>G</th> </tr> </thead> <tbody> <tr><td>1 1/4"</td><td>.59</td><td>1.188</td><td>1.15</td><td>2.313</td><td>7/16-14NC</td></tr> <tr><td>1 1/2"</td><td>.70</td><td>1.406</td><td>1.37</td><td>2.750</td><td>1/2-13NC</td></tr> <tr><td>2"</td><td>.84</td><td>1.688</td><td>1.53</td><td>3.062</td><td>1/2-13NC</td></tr> <tr><td>2 1/2"</td><td>1.00</td><td>2.000</td><td>1.75</td><td>3.500</td><td>1/2-13NC</td></tr> </tbody> </table>		SIZE	C	D	E	F	G	1 1/4"	.59	1.188	1.15	2.313	7/16-14NC	1 1/2"	.70	1.406	1.37	2.750	1/2-13NC	2"	.84	1.688	1.53	3.062	1/2-13NC	2 1/2"	1.00	2.000	1.75	3.500	1/2-13NC
SIZE	C	D	E	F	G																										
1 1/4"	.59	1.188	1.15	2.313	7/16-14NC																										
1 1/2"	.70	1.406	1.37	2.750	1/2-13NC																										
2"	.84	1.688	1.53	3.062	1/2-13NC																										
2 1/2"	1.00	2.000	1.75	3.500	1/2-13NC																										

DIMENSIONAL DATA

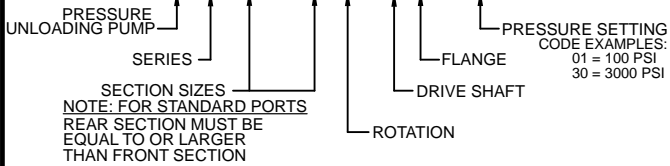


DRAWN FOR 'R' ROTATION



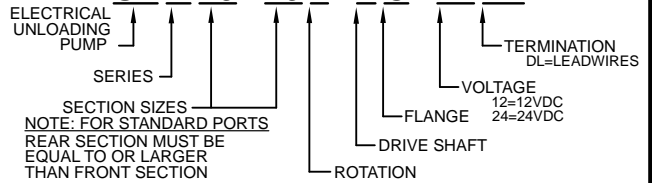
MODEL EXAMPLE

SL D 25 - 25 L - 1 C - 18



MODEL EXAMPLE

SE D 25 - 25 L - 1 C - 12 DL

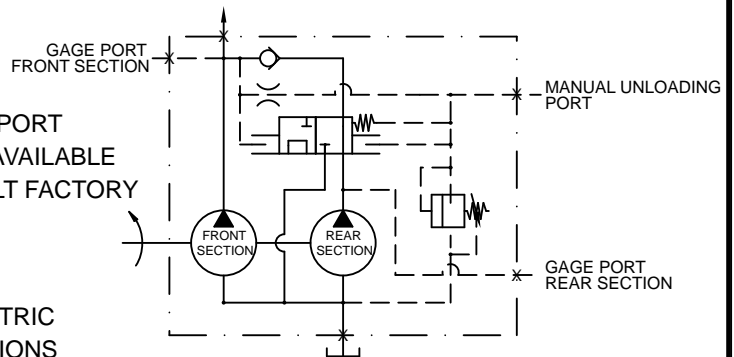


MOUNTING DIMENSIONS

SIZE	A	B	-
D15	1.25	3.02	-
D20	1.36	3.31	-
D25	1.50	3.59	-
D30	1.64	3.87	-
D35	1.85	4.16	-
D40	1.85	4.44	-
D45	2.16	4.73	-

OTHER PORT TYPES AVAILABLE
CONSULT FACTORY

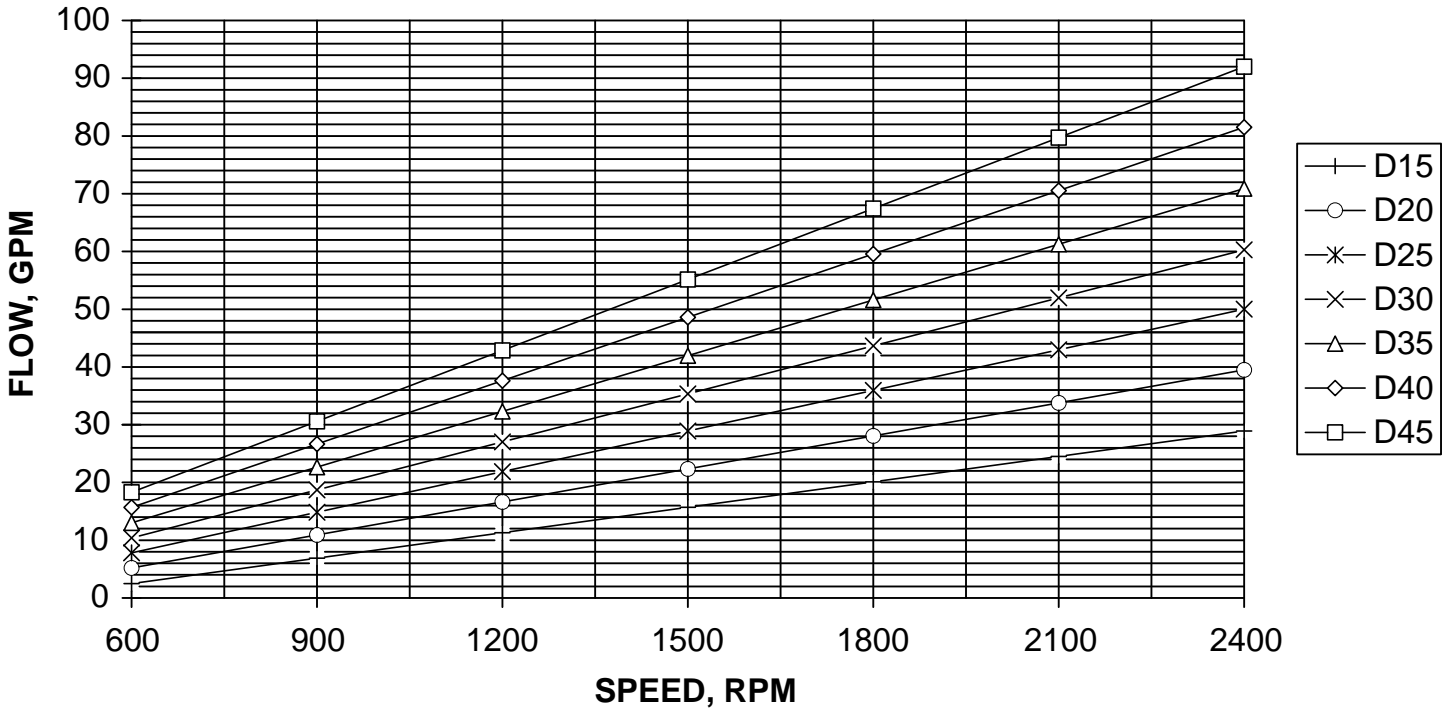
FOR METRIC DIMENSIONS MULTIPLY 25.4 x IN. = mm



SLD SERIES SCHEMATIC

TYPICAL PERFORMANCE DATA
 SAE 10W oil @ 150 DEGREES FAHRENHEIT
 (150 SSU)

**'SLD' / 'SED' SERIES PUMP FLOW PER SECTION @ 2500 PSI - SAE 10W OIL
 @ 150 DEGREES FAHRENHEIT**



'SLD' / 'SED' SERIES PUMP HORSEPOWER PER SECTION @ 2500 PSI

